

# Model PT2000

## LOW CAPACITY SINGLE POINT LOAD CELL



Our most popular single point model, used in high numbers in shop counter retail and bench scales.

The PT2000 is available in 9 capacities from 5kg to 100kg. Industry standard design allows interchange with many manufacturers models.

A popular cell for retail scale manufacture because of its generous platform size of 400mm x 400mm, also used extensively in belt conveyer and check weighing applications.

Protected with SURESEAL to IP66 the PT2000 is standard with overload protection facility built-in.

Marine grade anodised and designed to have low sensitivity to off-center loading it's a perfect load cell selection for the volume scale manufacturer.

### APPLICATIONS

- Low cost retail scales
- Low cost bench scales
- Hopper scales & net weighing scales

### FEATURES

- Marine grade anodised
- Protected with **SURESEAL™**
- Industry standard interchange design
- Generous platform sizes up to 400mm x 400mm
- Overload protection facility

### Specifications

Note: All specifications are a maximum, as a % ( $\pm$ ) of full load, unless otherwise stated.

Nominal Capacity	5kg ~ 100kg	Ultimate Load	300% of Rated Capacity
Signal Output at Capacity	2mV/V $\pm$ 10%	Input Impedance	425 $\Omega$ $\pm$ 15 $\Omega$
Linearity Error	< 0.020% FSO	Output Impedance	350 $\Omega$ $\pm$ 3 $\Omega$
Non-Repeatability	< 0.010% FSO	Insulation Impedance	> 5000 M $\Omega$ at 100V DC
Combined Error	< 0.025% FSO	Excitation Voltage (Recommended)	5 ~ 12V AC/DC
Hysteresis	< 0.015% FSO	Excitation Voltage (Maximum)	15V AC/DC
Creep/Zero Return (30 mins)	< 0.030% / 0.020% FSO	Eccentric Loading (effect/cm)	< 0.0074% FSO
Zero Balance	< 3.000% Capacity	Deflection at Rated Capacity	< 0.4mm
Temperature Effect on Span/10°C	< 0.010% FSO	Storage Temperature Range	-50 ~ 70°C
Temperature Effect on Zero/10°C	< 0.015% Capacity	Cable Type	4mm, Screened, PVC Sheath 4 Core x 0.09mm <sup>2</sup> (28 AWG)
Compensated Temperature Range	-10 ~ 40°C	Cable Length	2 Metres
Operating Temperature Range	-30 ~ 70°C	Material	Aluminium
Service Load	100% of Rated Capacity	Finish	Marine Anodised
Safe Load	150% of Rated Capacity		



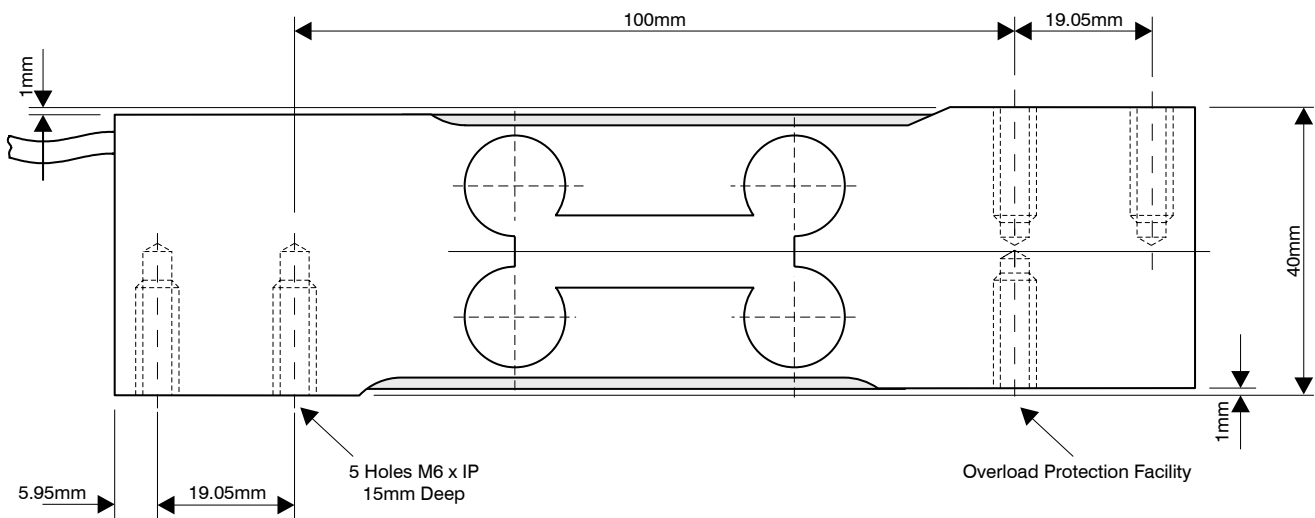
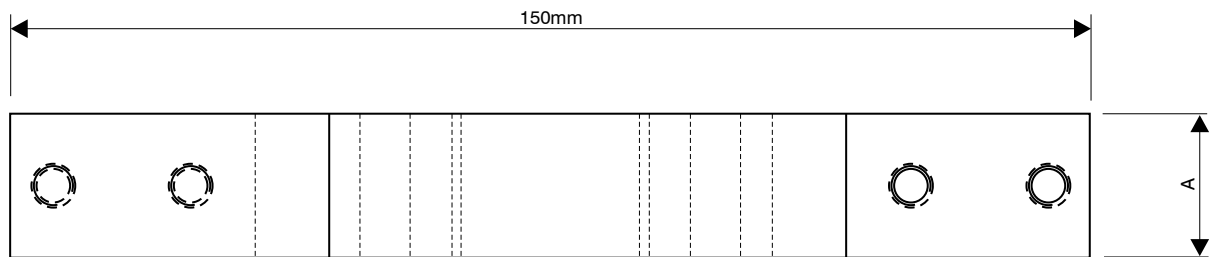
Manufactured in New Zealand

PT Limited®

<http://www.pt-global.com>

## Ordering Information

MODEL	Part Number	MODEL	Part Number	CABLES PACKS	Part Number
PT2000-5kg	20M0005A000XXX	PT2000-30kg	20M0030A000XXX	Junction box to indicator runs. Available by the metre.	
PT2000-7kg	20M0007A000XXX	PT2000-50kg	20M0050A000XXX	10 Metres	A-4C3.6-0010
PT2000-10kg	20M0010A000XXX	PT2000-75kg	20M0075A000XXX	50 Metres	A-4C3.6-0050
PT2000-15kg	20M0015A000XXX	PT2000-100kg	20M0100A000XXX	100 Metres	A-4C3.6-0100
PT2000-20kg	20M0020A000XXX			Cable Joint Kit	A-CAB-JOINTSTD



### PT Cable Colour Code

Excitation	+ve	<b>Red</b>
Sense	+ve	<b>Brown</b>
Excitation	-ve	<b>Black</b>
Sense	-ve	<b>Blue</b>
Signal	+ve	<b>Green</b>
Signal	-ve	<b>White</b>

### Load Cell Dimensions

	5kg ~7kg	10kg ~ 30kg	50kg ~ 100kg
<b>A</b>	20	20	25
<b>Weight</b>	0.35	0.35	0.40
<i>Dimensions in mm    Weight in kg</i>			