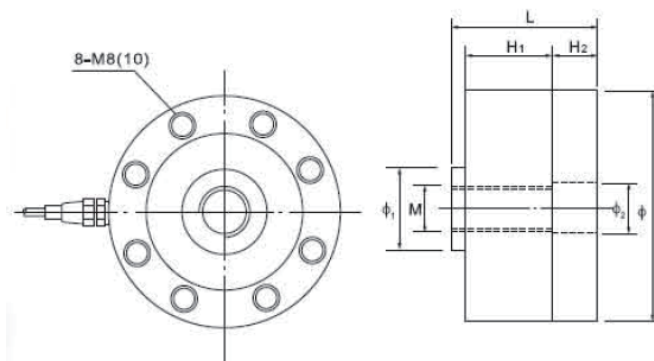


SLU

Universal Disk Load Cell



SPECIFICATIONS

Rated Output	$4 \pm 0.01 \text{mV/V FS}$	Temperature Shift On Zero	$\pm 0.02\% \text{ FS}/10^\circ \text{C}$
Nonlinearity	$\pm 0.02\% \text{ FS}$	Temperature Shift On Rated Output	$\pm 0.02\% \text{ FS}/10^\circ \text{C}$
Hysteresis	$\pm 0.02\% \text{ FS}$	Excitation Voltage-VDC MAX	15V
Repeatability	$\pm 0.01\% \text{ FS}$	Compensated Temperature Range	$-10 \text{ to } +50^\circ \text{C}$
Creep	$\pm 0.02\% \text{ FS}/30 \text{min}$	Operating Temperature Range	$-20 \text{ to } +60^\circ \text{C}$
Zero Balance	$\pm 1\% \text{ FS}$	Safe Overload	150% FS
Input Resistance	$765 \pm 15 \Omega$	Ultimate Overload	300% FS
Output Resistance	$700 \pm 5 \Omega$	Protection Class	IP67
Insulation Resistance	$\geq 5000 \text{M}\Omega$	Cable Length	39' / 12m
Material	Tool Steel		
Cable Color Code			

Red +Excitation, Black -Excitation, Green +Signal, White -Signal

DIMENSIONS

Capacities		ϕ	M	L	H ₁	H ₂	ϕ_1	ϕ_2
lb	t							
5k, 10k	2, 5	106	M16*1.5	64	32	19	34	18
25k, 50k	10, 20, 25	122	M32*1.5	79	47	24	41	34
100k	50	143	M40*1.5	88	51	29	51	42

Dimensions and specifications are subject to change without notice.



San Diego, CA USA

<http://www.sensolink.com>

E-mail: sales@sensolink.com