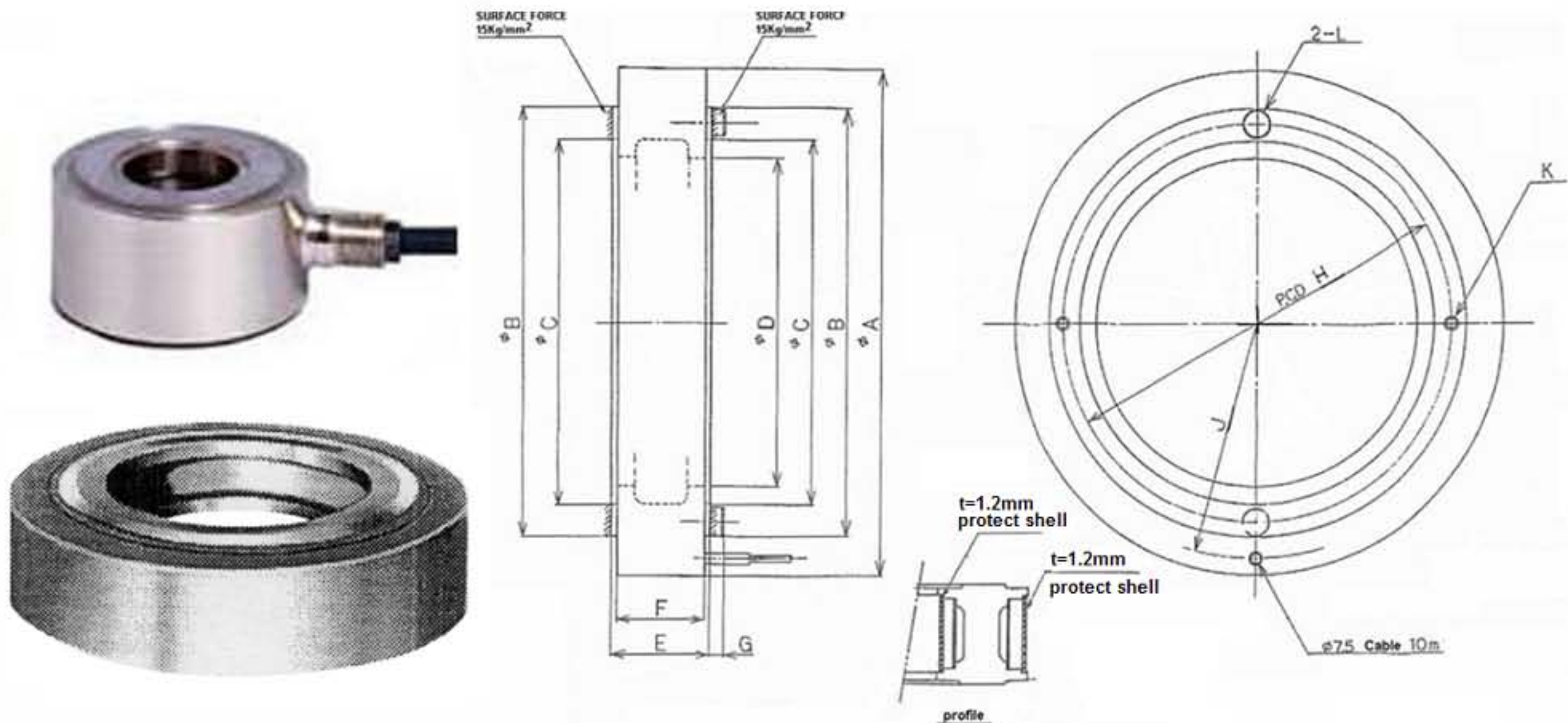


SLRWL

Low Profile Washer Force Sensor Alloy steel



SPECIFICATIONS:

Rated Output	1 mV/V
Nonlinearity	± 0.7% FS
Hysteresis	± 0.7% FS
Repeatability	± 0.3% FS
Creep	± 0.7% FS/20min
Zero Balance	± 10 % FS
Temperature Effect On Zero	± 0.1 % FS/10°C
Temperature Effect On Rated Output	± 0.1 % FS/10°C
Input Resistance	760 ± 30 Ω
Output Resistance	700 ± 10 Ω
Insulation Resistance	> 2000MΩ
Excitation Voltage	12(Recommended), 20(Max)VDC/AC
Compensated Temperature Range	-10 to +75°C
Operating Temperature Range	-20 to +100°C
Safe Overload	150% FS
Ultimate Overload	250% FS
Protection Class	IP 67
Cable Length	10m
Cable Color Code	Red + Excitation, Black -Excitation, Green +Signal, White -Signal

DIMENSIONS:

Capacity	A	B	C	D	E	F	G	H	J	K	L
t											
100	241	188	164	146	64	62	10	177	111R	—	Ø8
200	355	295	265	230	70	68	10	280	165R	M10	Ø20
300	355	300	255	215	70	68	10	280	165R	M10	Ø20
500	355	316	240	215	70	68	10	280	170R	M10	Ø20

Dimensions and specifications are subject to change without notice.



<http://www.sensolink.com> E-mail: sales@sensolink.com