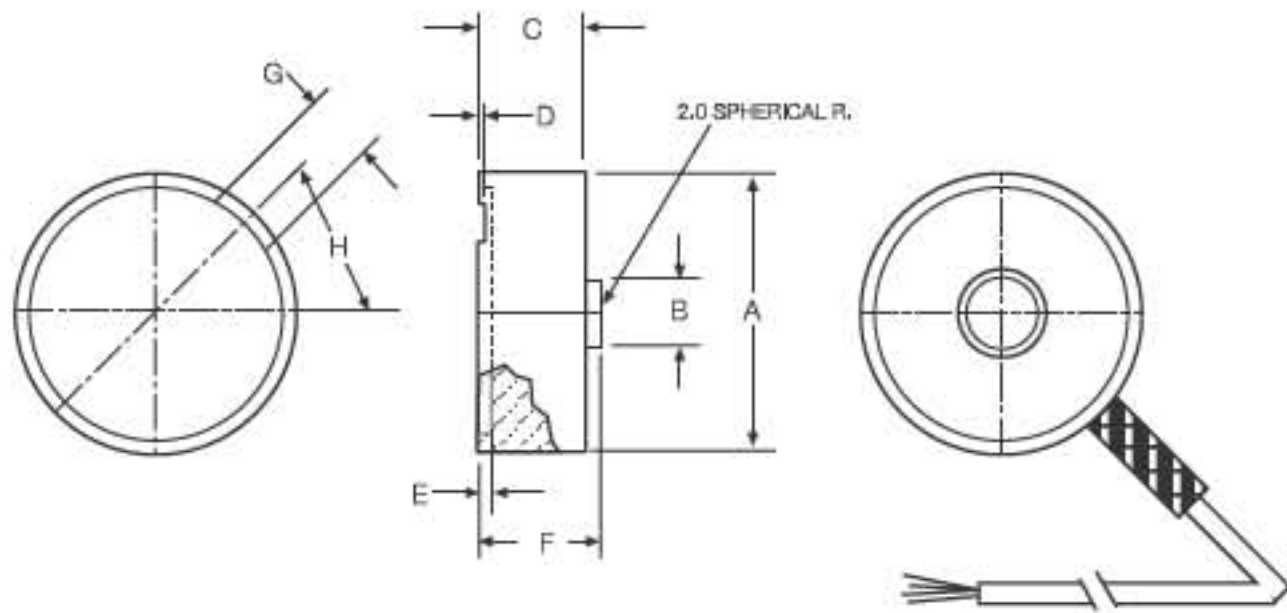





Picture is a representation of actual product
RLS1000 only



SPECIFICATIONS:

| | |
|---------------------------|---|
| Full Scale Output: | 3.0 mV/V nominal |
| Bridge Resistance: | 350 ohms, nominal |
| Material/Finish: | Stainless steel |
| Temperature: | Compensated range 0°F to 150°F/-18°C to 65°C |
| Safe Overload: | 200% Full scale |
| Rated Excitation: | 15V DC |
| Nonlinearity: | 0.05% Full scale |
| Hysteresis: | 0.05% Full scale |
| Seal Type: | Environmentally sealed |
| Cable Length: | 10'/.45 m |
| Cable Color Code: | Red..... + Excitation Black..... - Excitation Green + Signal White..... - Signal |
| Warranty: | One-year limited warranty |
| Approvals: |  |

DIMENSIONS

| Rated Capacity | A | B | C | D | E | F | G | H |
|------------------|------|-----|------|------|------|------|------|-----|
| RLS1000 | | | | | | | | |
| lb/inches | | | | | | | | |
| 500-5000 | 1.25 | .30 | .485 | .032 | .062 | .52 | .312 | 45° |
| kg/mm | | | | | | | | |
| 226.8-2268.0 | 31.7 | 7.6 | 12.3 | .812 | 1.5 | 13.2 | 7.9 | 45° |

RLS1000 Order Information

| Load Rating | Part # |
|---------------------|--------|
| 500 lb (226.8 kg) | 42150 |
| 1000 lb (453.6 kg) | 42151 |
| 2000 lb (907.2 kg) | 42152 |
| 3000 lb (1360.8 kg) | 42153 |
| 4000 lb (1814.4 kg) | 42154 |
| 5000 lb (2268.0 kg) | 42155 |