

PTSSP6-N

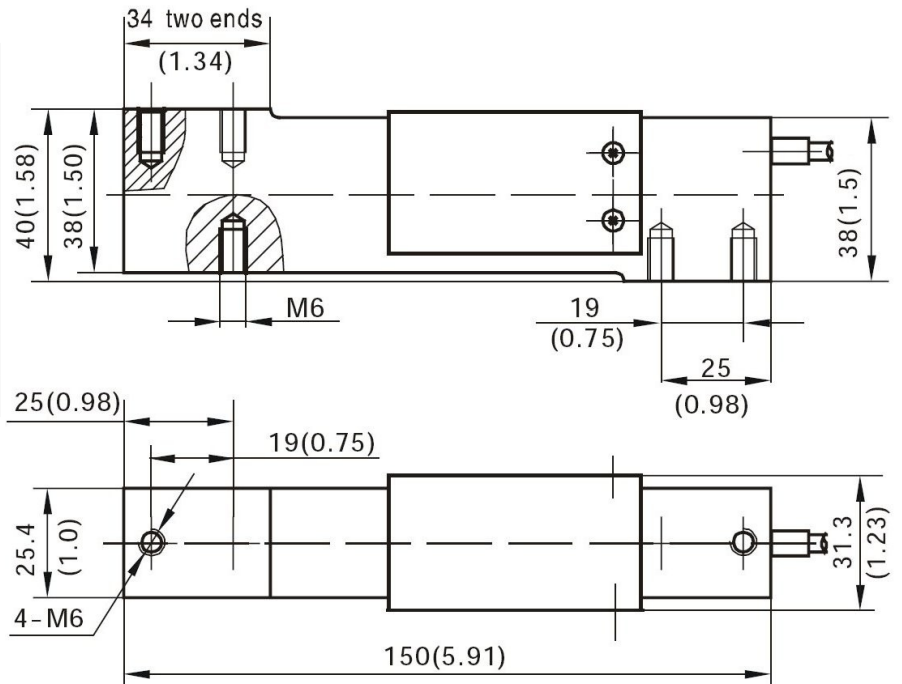
STAINLESS STEEL SINGLE POINT

- Fully sealed IP67
- C3 accuracy class
- Stainless steel for protection
- For platform and retail scales
- Suits 400mm x 400mm platform



Models

Capacity	Order	Weight (kg)
15kg	SPM0015S06NXXX	1.00
20kg	SPM0020S06NXXX	1.00
30kg	SPM0030S06NXXX	1.00
50kg	SPM0050S06NXXX	1.00
75kg	SPM0075S06NXXX	1.00
100kg	SPM0100S06NXXX	1.00
150kg	SPM0150S06NXXX	1.00
200kg	SPM0200S06NXXX	1.00



NOTE: dimensions are in mm(in.).

Specifications

Signal Output at Capacity.....	2±0.2 mV/V	Service Load.....	100% Capacity
Linearity Error.....	< 0.017% FSO	Safe Load.....	150% Capacity
Non-Repeatability.....	< 0.010% FSO	Ultimate Load.....	300% Capacity
Combined Error.....	< 0.020% FSO	Input Resistance.....	383Ω ± 4Ω
Off Centre Load Error.....	< 0.020% FSO	Output Resistance.....	350Ω ± 3.5Ω
Creep/(30 mins.).....	< 0.020% FSO	Insulation Resistance.....	> 5000 MΩ (@50 VDC)
Zero Balance.....	< 1% Capacity	Excitation Voltage(Rec).....	5~12 V AC/DC
Temperature Effect on Span(/10C).....	< 0.014% FSO	Excitation Voltage(Max.).....	18 V AC/DC
Temperature Effect on Zero(/10C).....	< 0.017% FSO	Cable.....	1m long, Ø5.1
Operating Temperature Range.....	-35 ~ +65 C	6-wire shielded PU cable
Compensated Temperature Range.....	-10 ~ +40 C	Material.....	17-4PH Stainless steel
Storage Temperature Range.....	-50 ~ 85 C	Sealing.....	IP67

Wiring Connections

Excitation +ve.....	Green	Sense +ve.....	Yellow	Signal +ve.....	White
Excitation -ve.....	Black	Sense -ve.....	Blue	Signal -ve.....	Red

R91013