

PTSSP6-GW

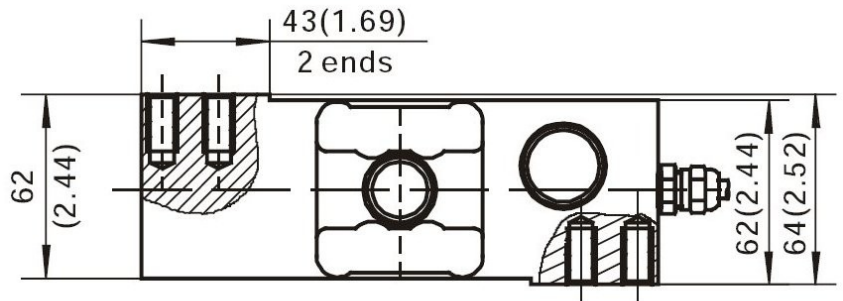
STAINLESS STEEL SINGLE POINT

- Fully sealed IP68
- C3 accuracy class
- Stainless steel for protection
- For platform and retail scales
- Suits 600mm x 600mm platform

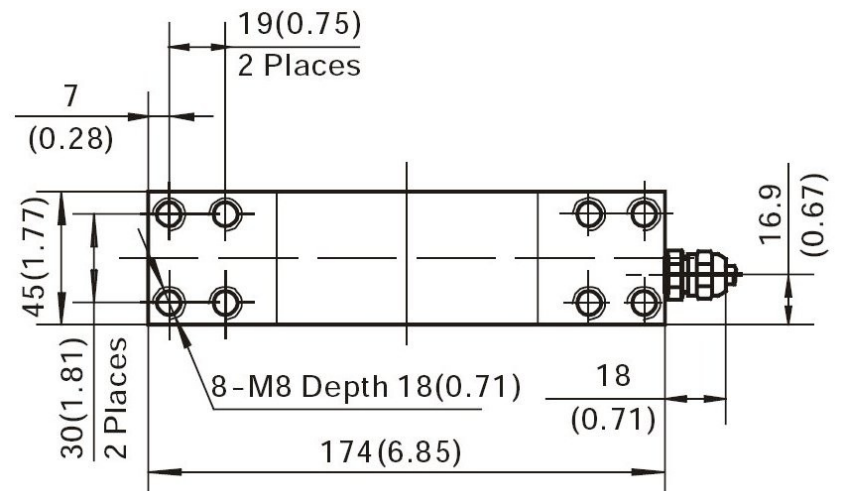


Models

Capacity	Order	Weight (kg)
200kg	SPM0200S06GWXX	2.90
300kg	SPM0300S06GWXX	2.90
400kg	SPM0400S06GWXX	2.90
500kg	SPM0500S06GWXX	2.90



NOTE: dimensions are in mm(in.).



Specifications

Signal Output at Capacity.....	2±0.2 mV/V	Service Load.....	100% Capacity
Linearity Error.....	< 0.017% FSO	Safe Load.....	150% Capacity
Non-Repeatability.....	< 0.010% FSO	Ultimate Load.....	300% Capacity
Combined Error.....	< 0.020% FSO	Input Resistance.....	350Ω ± 3.5Ω
Off Centre Load Error.....	< 0.020% FSO	Output Resistance.....	350Ω ± 3.5Ω
Creep/(30 mins.).....	< 0.020% FSO	Insulation Resistance.....	> 5000 MΩ (@50 VDC)
Zero Balance.....	< 1% capacity	Excitation Voltage(Rec.).....	5~12 V AC/DC
Temperature Effect on Span(/10C).....	< 0.014% FSO	Excitation Voltage(Max.).....	18 V AC/DC
Temperature Effect on Zero(/10C).....	< 0.017% FSO	Cable.....	3m long, Ø5.1
Operating Temperature Range.....	-35 ~ +65 C		4-wire shielded PU cable
Compensated Temperature Range.....	-10 ~ +40 C	Material.....	17-4ph Stainless Steel
Storage Temperature Range.....	-50 ~ 85 C	Sealing.....	IP68 Welded

Wiring Connections

Excitation +ve.....	Red	Signal +ve.....	Green
Excitation -ve.....	Black	Signal -ve.....	White

R81030