

PTSSP6-AW

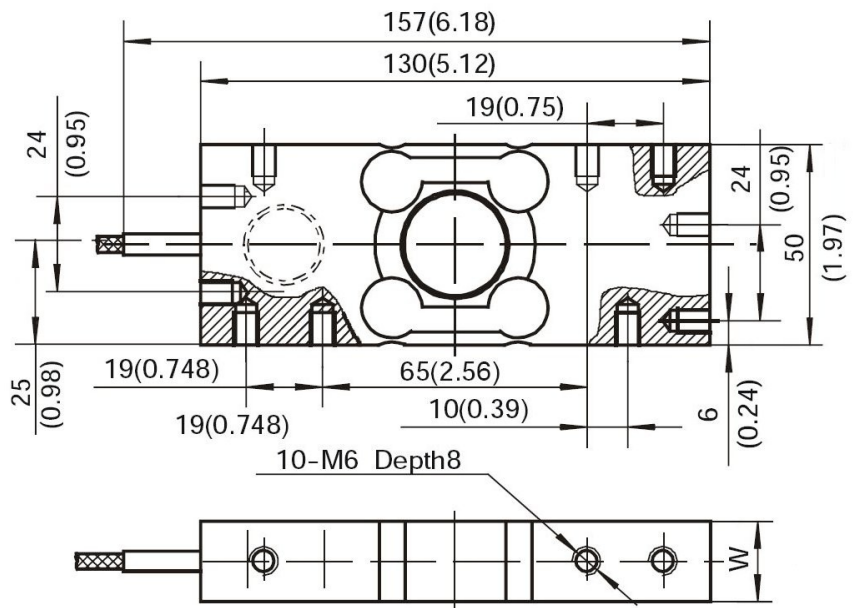
STAINLESS STEEL SINGLE POINT

- Fully sealed IP68
- C3 accuracy class
- Welded Stainless for protection
- For platform and retail scales
- Suits 300mm x300mm platform



Models

Capacity	Order	W	Weight (kg)
6kg	SPM0006S06AWXX	18.5 (0.73)	1.00
12kg	SPM0012S06AWXX	18.5 (0.73)	1.00
30kg	SPM0030S06AWXX	18.5 (0.73)	1.00
60kg	SPM0060S06AWXX	23.5 (0.73)	1.00



NOTE: dimensions are in mm(in).

Specifications

Signal Output at Capacity.....	2±0.2 mV/V	Service Load.....	100% Capacity
Linearity Error.....	< 0.017% FSO	Safe Load.....	150% Capacity
Non-Repeatability.....	< 0.010% FSO	Ultimate Load.....	300% Capacity
Combined Error.....	< 0.020% FSO	Input Resistance.....	400Ω ± 20Ω
Off Centre Load Error.....	< 0.020% FSO	Output Resistance.....	350Ω ± 3.5Ω
Creep/(30 mins.).....	< 0.020% FSO	Insulation Resistance.....	> 5000 MΩ (@50 VDC)
Zero Balance.....	< 1% capacity	Excitation Voltage(Rec).....	5~12 V AC/DC
Temperature Effect on Span(/10C).....	< 0.014% FSO	Excitation Voltage(Max.).....	18 V AC/DC
Temperature Effect on Zero(/10C).....	< 0.017% FSO	Cable.....	6m long, Ø5.1mm
Operating Temperature Range.....	-35 ~ +65 C	6-wire shielded PU cable
Compensated Temperature Range.....	-10 ~ +40 C	Material.....	17-4 PH stainless steel
Storage Temperature Range.....	-50 ~ 85 C	Sealing.....	IP68

Wiring Connections

Excitation +ve.....	Green	Sense +ve.....	Yellow	Signal +ve.....	White
Excitation -ve.....	Black	Sense -ve.....	Blue	Signal -ve.....	Red

R81030