

# PTASP6-D

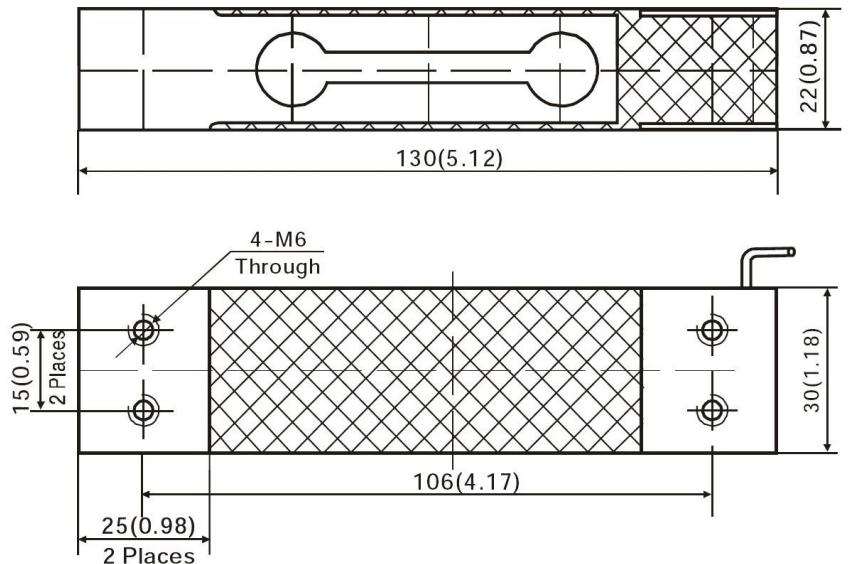
## ALUMINIUM SINGLE POINT

- Fully sealed
- C3 accuracy class
- Anodised for protection
- For platform and retail scales
- Suits 250mm x 350mm platform



### Models

Capacity	Order	Weight (kg)
2.5kg	SPM0002A56DXXX	0.15
3kg	SPM0003A06DXXX	0.15
5kg	SPM0005A06DXXX	0.15
6kg	SPM0006A06DXXX	0.15
8kg	SPM0008A06DXXX	0.15
10kg	SPM0010A06DXXX	0.15
15kg	SPM0015A06DXXX	0.15
20kg	SPM0020A06DXXX	0.15
30kg	SPM0030A06DXXX	0.15
35kg	SPM0035A06DXXX	0.15
40kg	SPM0040A06DXXX	0.15
50kg	SPM0050A06DXXX	0.15



NOTE: dimensions are in mm(in.).

### Specifications

Signal Output at Capacity.....	2±0.2 mV/V
Linearity Error.....	< 0.017% FSO
Non-Repeatability.....	< 0.010% FSO
Combined Error.....	< 0.020% FSO
Off Centre Load Error.....	< 0.017% FSO
Creep/(30 mins.).....	< 0.015% FSO
Zero Balance.....	< 2% Capacity
Temperature Effect on Span(/10C).....	< 0.014% FSO
Temperature Effect on Zero(/10C).....	< 0.017% FSO
Operating Temperature Range.....	-35 ~ +65 C
Compensated Temperature Range.....	-10 ~ +40 C
Storage Temperature Range.....	-50 ~ 85 C

Service Load.....	100% Capacity
Safe Load.....	150% Capacity
Ultimate Load.....	300% Capacity
Input Resistance.....	409Ω ± 6Ω
Output Resistance.....	350Ω ± 3Ω
Insulation Resistance.....	> 5000 MΩ (@50 VDC)
Excitation Voltage(Rec).....	5~12V AC/DC
Excitation Voltage(Max.).....	18 V AC/DC
Cable.....	0.4m long, Ø3.8 mm
.....	4 core screened PVC
Material.....	Aluminium Alloy
Sealing.....	IP65

### Wiring Connections

Excitation +ve.....	Red
Excitation -ve.....	Black

Signal +ve.....	Green
Signal -ve.....	White

R81030