

Model NK Portable Display/ Signal Conditioner

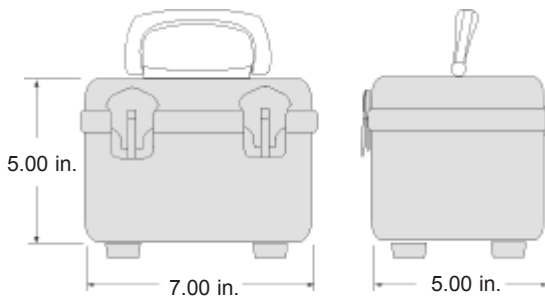
Order Code AE221

- Bridge Based Transducer Input
- 4-1/2 Digit LED Display
- Battery Powered
- Analog Output Option



The Model NK portable instrument features a full 4 1/2 digit display and is designed for use in remote field operations as a portable calibrator or readout device. Shunt calibration offers the operator quick field setup with a minimum of warm-up. A peak/ hold feature is optional.

Dimensions

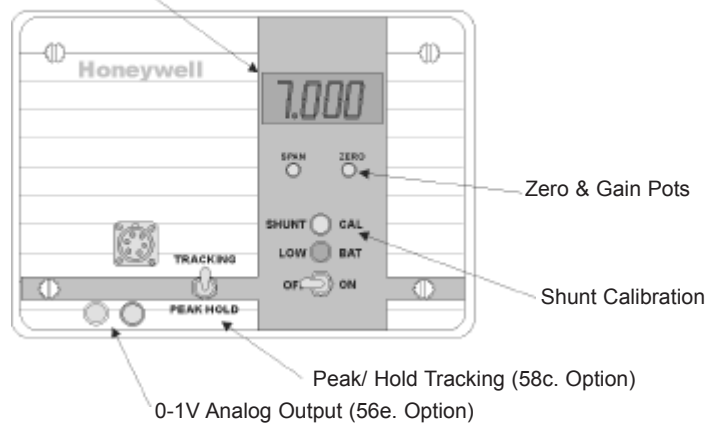


Wiring Code

- A (+) Excitation
- B (+) Sense
- C (-) Excitation
- D (-) Sense
- E (-) Input
- F (+) Input

Features

4 1/2 Digit Display



General

Number of Channels.....1
Material.....Deep drawn aluminum case

Environmental

Temperature, Operating.....32° to 130° F
Temperature, Storage.....-20° to 150° F
Power Requirement.....Batteries- 4 "D" cells

Transducer Interface

Transducer Excitation.....4 VDC
Types of Inputs Accepted.....0.5 to 4 mV/V
Transducer Bridge Range.....350 Ohms
Pushbutton Shunt Cal.....Yes
Calibration Method.....Manual
Electrical Connection Type.....PT02A-10-6S (note 1)
Zero Balance.....+/- 15% of Full Scale (min.)
Noise & Ripple.....30 microvolts

Notes:

1. PT06A-10-6P (SR) mating connector, order code AA119

1-888-282-9891

www.honeywell.com/sensotec

Model NK

Amplifier Characteristics

Full Scale Outputs Available.....0-1V (optional)
 Output Impedance.....< 1 Ohm (optional)
 Non-linearity.....+/- 0.02% of Full Scale (max.)
 Drift
 Zero.....+/- 5 mV (max.)
 Span.....+/- 5 mV (max.)
 Stability
 Zero.....0.1% of Full Scale/ year
 Span.....0.1% of Full Scale/ year
 Frequency Response.....1,000 Hz
 Fine Span Adjustment.....+/- 15% of Range
 Coarse Span Adjustment.....100% of Range
 Fine Zero Adjustment.....+/- 15% of Range
 Coarse Zero Adjustment.....100% of Range
 Short Circuit Protection.....Yes

Digital Display Characteristics

Number of Display Characters.....4-1/2
 Conversion/ second.....1.5
 Scaling.....0-19,999
 Scaling Method.....Potentiometer
 Maximum Display Count.....19,999
 Polarity Indications.....Yes
 Programmable Decimal Points.....Yes
 Display Size.....0.4 in.
 Overrange Indication.....Yes
 Resolution.....1/20,000
 Type.....LCD
 Maximum Sensitivity.....1 microvolt/ count
 Peak/ Hold.....Yes (optional)

Physical Characteristics

Weight.....3 lb.

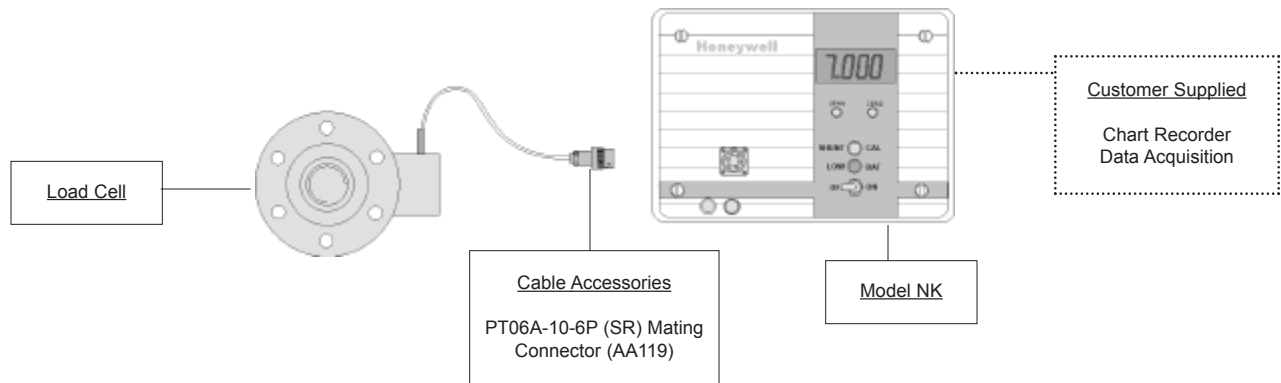
Power Supply

Power Requirements.....4 "D" cells

Front Panel

Digital Display.....4-1/2 digits LCD
 Environmentally Sealed.....Weatherproof case

Typical System Diagram



Options

	Built to Order
Input	52c. 0-4.5 mV/V to 0-40 mV/V
Outputs	56e. 0-1 VDC
Special Features	58c. Peak/ Hold 58m. Knob Potentiometer Adjustments

-Not RoHS Compliant

How to Order

The order code consists of the product model and the available options.

Sample Code **AE221** **56e**
 Model Code Options Code