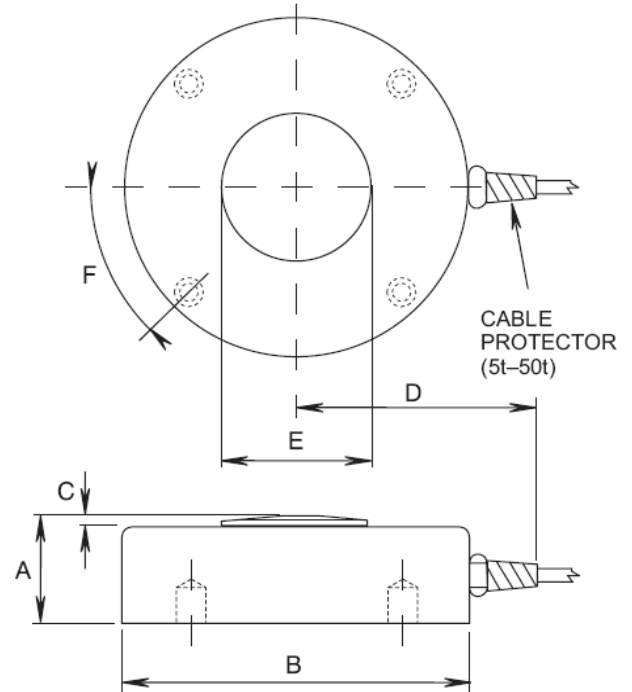


# LPX

## COMPRESSION MINI-DISC



- Miniature compression type
- Sealed to IP67 standards
- Simple installation
- Ideal for tanks and hoppers
- Standard compression mount available
- Rugged nickel plated tool steel construction



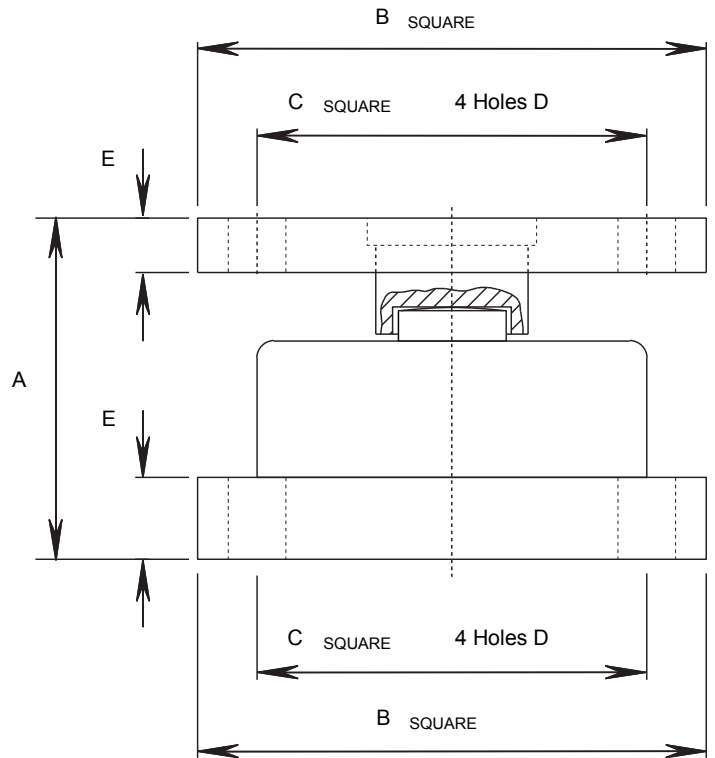
Capacity	Order	A	B	C	D	E	F	Cable (m)	Weight(kg)
100kg	LXM0100T000XXX	22.0	52.0	4.0	30.0	10.0	M5x0.8, 44PCD	3m 4core	0.35
250kg	LXM0250T000XXX	22.0	52.0	4.0	30.0	10.0	M5x0.8, 44PCD	3m 4core	0.35
500kg	LXM0500T000XXX	22.0	52.0	4.0	30.0	10.0	M5x0.8, 44PCD	3m 4core	0.35
1000kg	LXM1000T000XXX	22.0	52.0	4.0	30.0	10.0	M5x0.8, 44PCD	3m 4core	0.35
2500kg	LXM2500T000XXX	25.0	52.0	4.0	30.0	10.0	M5x0.8, 44PCD	3m 4core	0.4
5000kg	LXM5000T000XXX	30.0	100.0	5.0	95.0	20.0	M6x1.0, 85PCD	5m 6core	1.7
10000kg	LXM010TT000XXX	35.0	100.0	5.0	95.0	20.0	M6x1.0, 85PCD	5m 6core	1.7
25000kg	LXM025TT000XXX	50.0	115.0	10.0	100.0	32.0	M12x1.75, 90PCD	10m 6core	3.2
50000kg	LXM050TT000XXX	55.0	155.0	12.0	125.0	45.0	M12x1.75, 130PCD	10m 6core	7.0

Signal Output at Capacity.....2±0.02 mV/V  
 Linearity Error.....< 0.100% FSO  
 Non-Repeatability.....< 0.070% FSO  
 Hysteresis.....< 0.050% FSO  
 Creep/(30 mins.).....< 0.070% FSO  
 Zero Balance.....< 1 % Capacity  
 Temperature Effect on Span(/10C).....< 0.010% FSO  
 Temperature Effect on Zero(/10C).....< 0.070% FSO  
 Compensated Temperature Range.....-10 ~ 50 C  
 Operating Temperature Range.....-20 ~ 65 C  
 Storage Temperature Range.....-50 ~ 85 C  
 Excitation +ve.....Red  
 Signal +ve.....Green  
 \*Sense +ve\*.....Brown  
 (\*..\* on capacities 5t - 50t only)

Service Load.....100% Capacity  
 Safe Load.....150% Capacity  
 Safe Side Load.....10% Capacity  
 Ultimate Load.....300% Capacity  
 Input Resistance.....410Ω nominal  
 Output Resistance.....351Ω Nominal  
 Insulation Resistance.....> 5000 MΩ (@50 VDC)  
 Excitation Voltage(Rec.).....5~20 V AC/DC  
 Excitation Voltage(Max.).....25 V AC/DC  
 Cable.....PUR Dia. 4.5~5.0 mm  
 Material.....Nickel Plated Tool Steel  
 Excitation -ve.....Black  
 Signal -ve.....White  
 \*Sense -ve\*.....Blue

# M-LPXR

## LPX RESTRAINING MOUNT



- Compact mount for LPX
- Easy to install
- Robust corrosion protection
- Ideal for tanks and hoppers

The complete mount is used with the LPX in compression load applications. This mount has convenient bolt holes located on both the top and bottom plates, integral side restraint is accommodated by the special restraining socket.

Capacity	Order*	A	B	C	D	E	F
100kg	M-LPXR-2	55	100	65	Ø 14	11.5	11.5
250kg	M-LPXR-2	55	100	65	Ø 14	11.5	11.5
500kg	M-LPXR-2	55	100	65	Ø 14	11.5	11.5
1000kg	M-LPXR-2	55	100	65	Ø 14	11.5	11.5
2.5t	M-LPXR-2	58	100	65	Ø 14	11.5	11.5
5.0t	M-LPXR-10	76	125	100	Ø 14	15	15
10.0t	M-LPXR-10	81	125	100	Ø 14	15	15
25.0t	M-LPXR-10	100	150	115	Ø 17	24	16
50.0t	M-LPXR-10	115	180	135	Ø 17	31	16

\*Load cell ordered separately.