

# ▶ CP26S5

▶ **COMPRESSION CANISTER**

▶ **STAINLESS STEEL**  
Hermetically Sealed

Coti, Inc. • 122 Export Circle • Huntsville, Alabama 35806 • Toll Free: 1-888-268-4462 • Fax: 256-859-5024 • www.cotiinc.com



## CP26S5 ORDER INFORMATION

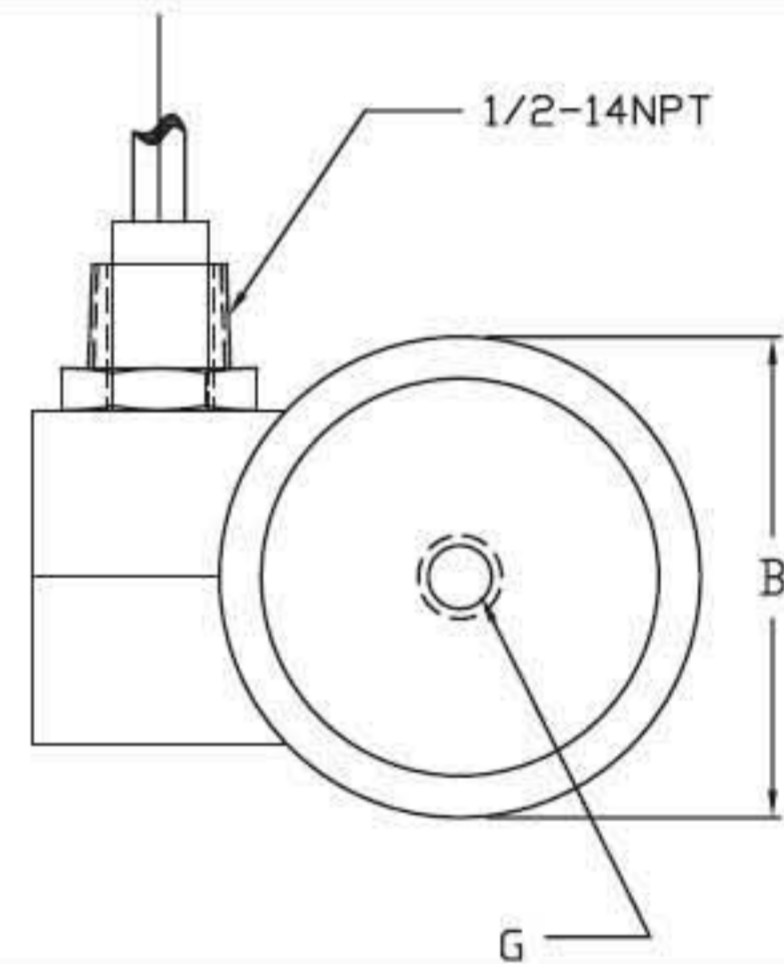
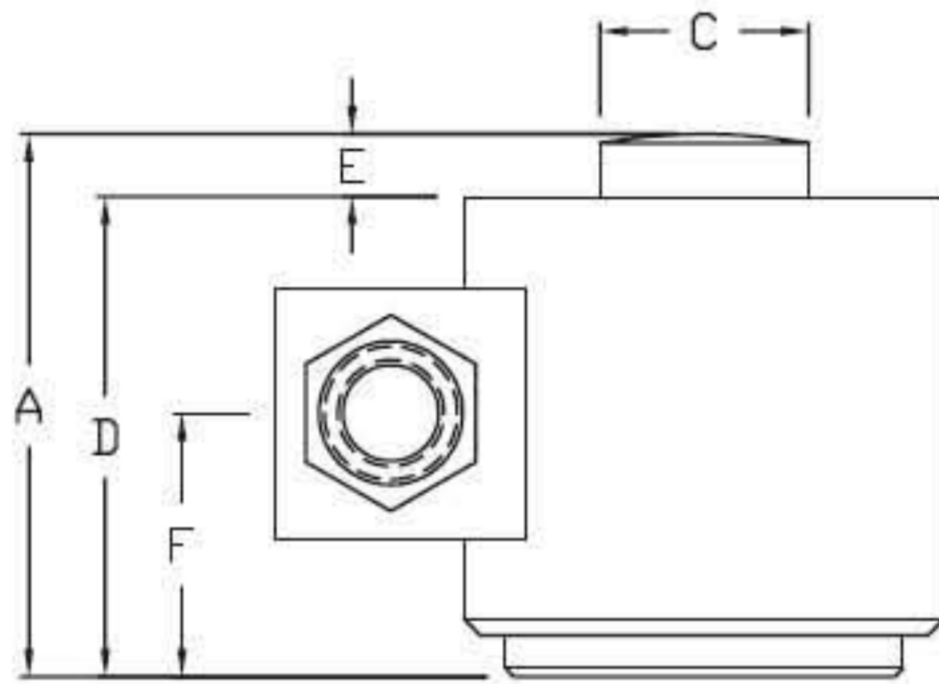
DISCOUNT C SUGGESTED LIST PRICE

10K  
25K, 50K  
100K  
200K  
300K  
500K

## INTERCHANGEABLE PRODUCTS

Rice Lake Weighing Systems.....	RLCSP1
Artech.....	90310
Howe Richardson.....	244699-000X
Revere Transducers.....	CSP1, 692B
Streeter Amet.....	3760XXX
Totalcomp.....	TCSP1
Sensortronics.....	65088-1000

Main Dimensions and Accessories



RATED CAPACITY	DIMENSIONS							
	A	B	C	D	E	F	G	
10K-50K	3.25	2.88	1.25	2.85	0.40	1.58	1/2-20UNF x 0.31 deep	
100K	5.00	4.12	2.31	4.49	0.51	2.45	3/4-16UNF x 0.56 deep	
200K-300K	7.25	6.00	3.13	6.18	1.04	3.65	3/4-16UNF x 0.75 deep	
500K	9.00	6.50	3.69	8.36	0.56	4.81	3/4-16UNF x 0.75 deep	

## ▶ SPECIFICATIONS ◀

Rated Output (mV/V)	2.00	Bridge Resistance	480
Nonlinearity	+/- 0.03% FS	Insulation Resistance	5000 Megohms
Hysteresis	+/- 0.03% FS	Excitation Voltage	10V AC/DC (15V Max)
Repeatability	+/- 0.01% FS	Compensated Temperature Range	-10°C - +40°C
Creep (30 minutes)	+/- 0.02% FS	Operating Temperature Range	-20°C - +60°C
Zero Balance	+/- 1.00% FS	Safe Overload	150% FS
Temperature Effect on Zero	+/- 0.02% FS/10° C	Cable Length	50' Standard Cable
Temperature Effect on Output	+/- 0.02% FS/10° C	Seal Type	Hermetically Sealed, IP67
Cable Color Code	Input Green +Excitation Black -Excitation	Output White +Signal Red -Signal	