

▶ CI-5223

▶ **DOUBLE-ENDED BEAM**

▶ **ALLOY STEEL**
NTEP 1:10,000 Class **ML** Multiple Cell

Coti, Inc. • 122 Export Circle • Huntsville, Alabama 35806 • Toll Free: 1-888-268-4462 • Fax: 256-859-5024 • www.cotiinc.com



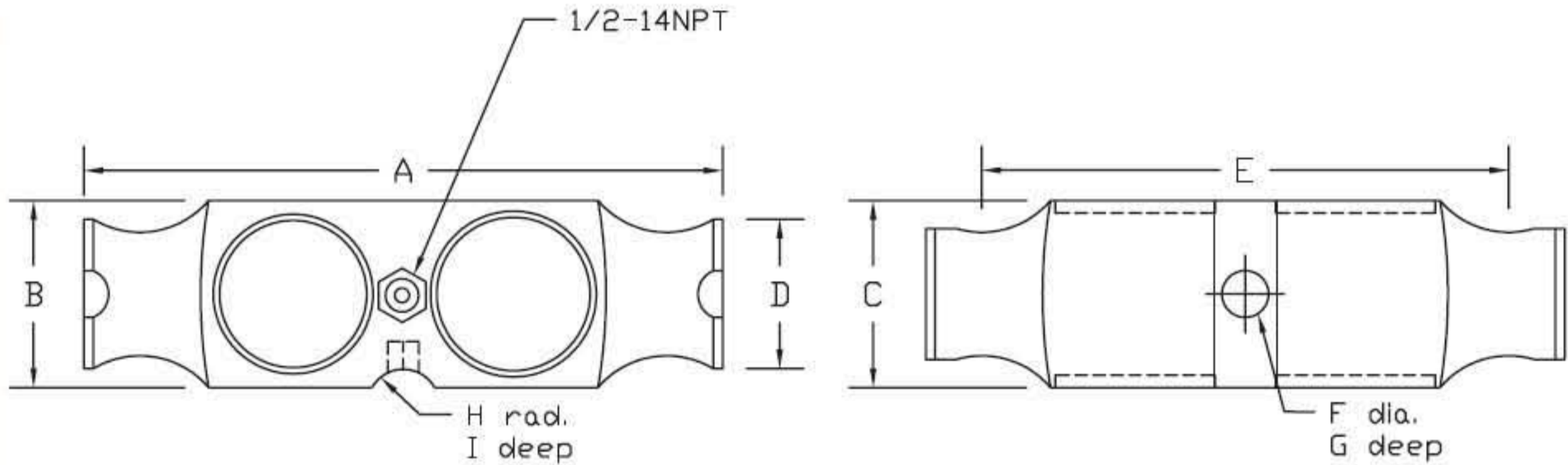
CI-5223 ORDER INFORMATION DISCOUNT C SUGGESTED LIST PRICE

40K, 50K
60K, 65K
75K, 100K
125K

INTERCHANGEABLE PRODUCTS

Rice Lake Weighing Systems.....	RL75223
Revere Transducers.....	5223
Thurman.....	TSC 800
Celtron.....	HED
Unibridge.....	DL9000

Main Dimensions and Accessories



RATED CAPACITY	DIMENSIONS										
	A	B	C	D	E	F	G	H	I		
40K-125K	10.25	3.00	3.00	2.40	8.50	0.75	0.78	1.00	0.28		

▶ SPECIFICATIONS ◀

Rated Output (mV/V)	3.00	Bridge Resistance	700
Nonlinearity	+/- 0.02% FS	Insulation Resistance	5000 Megohms
Hysteresis	+/- 0.02% FS	Excitation Voltage	10V AC/DC (15V Max)
Repeatability	+/- 0.01% FS	Compensated Temperature Range	-10°C - +40°C
Creep (30 minutes)	+/- 0.02% FS	Operating Temperature Range	-20°C - +60°C
Zero Balance	+/- 1.00% FS	Safe Overload	150% FS
Temperature Effect on Zero	+/- 0.02% FS/10° C	Cable Length	50' Braided Shield Cable
Temperature Effect on Output	+/- 0.02% FS/10° C	Seal Type	Environmentally-Sealed, Welded Covers, IP67
Cable Color Code	Input	Output	
	Green +Excitation	White +Signal	
	Black -Excitation	Red -Signal	