

5350 SOLID FLANGE REACTION TORQUE TRANSDUCER (U.S. & METRIC)

FEATURES & BENEFITS

- Threaded mounting holes
- Compact size
- Optional ± 10 VDC output available on 100 ozf-in and above

SPECIFICATIONS

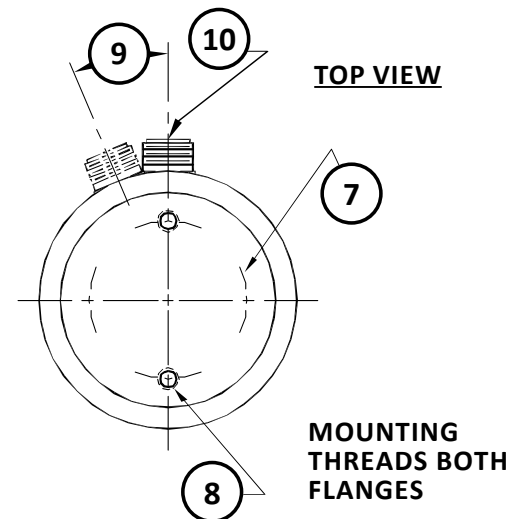
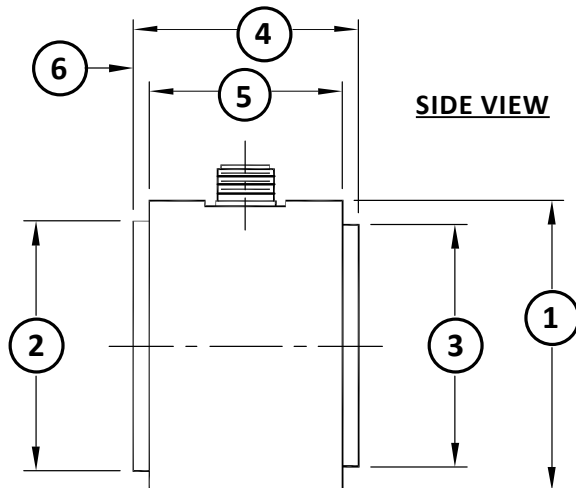
ACCURACY – (MAX ERROR)		
Nonlinearity – %FS		± 0.1
Hysteresis – %FS		± 0.1
Nonrepeatability – %RO		± 0.05
TEMPERATURE		
Compensated range	$^{\circ}\text{F}$	+75 to +175
	$^{\circ}\text{C}$	+24 to +80
Operating range	$^{\circ}\text{F}$	-65 to +225
	$^{\circ}\text{C}$	-54 to +107
Effect on output – % / $^{\circ}\text{F}$ MAX		± 0.002
Effect on zero – %RO / $^{\circ}\text{F}$ MAX		± 0.002
ELECTRICAL		
Rated output – mV/V (Nominal)	10 ozf-in	2.0
	0.07 Nm	1.3
Bridge resistance – Ohm (Nominal)		350
Excitation voltage – VDC MAX		10
MECHANICAL		
Calibration		CW & CCW
Safe overload – %CAP		200
Material		Aluminum



MODEL 5350 (Shown)

DIMENSIONS

See Drawing	CAPACITY	
	U.S. (ozf-in)	Metric (Nm)
	10, 20, 50, 100, 200	0.07, 0.14, 0.35, 0.71, 1.41
	in	mm
(1)	$\varnothing 1.50$	$\varnothing 38.1$
(2)	$\varnothing 1.00$	$\varnothing 25.4$
(3)	$\varnothing 0.875$	$\varnothing 22.225$
(4)	1.50	38.1
(5)	1.375	34.925
(6)	0.0625	1.5875
(7)	$\varnothing 0.563$	$\varnothing 14.3002$
(8)	#4-40 UNC-2B 2 places	
(9)	0 $^{\circ}$	
(10)	Conxall 7282-6PG-300	



* Metric dimensions and capacities are provided for conversion only. Standard product will be sold in lbf and U.S. dimensions. Metric capacities available upon special request and at an additional cost.

5350 SOLID FLANGE REACTION TORQUE TRANSDUCER (U.S. & METRIC)

PERFORMANCE PARAMETERS

CAPACITY		TORQUE OVERLOAD		TORSIONAL STIFFNESS (FROM FLANGE FACE-TO-FACE)		WEIGHT		MAX THRUST LOAD		MAX BENDING MOMENT		MAX SHEAR LOAD	
ozf-in	Nm	ozf-in	Nm	ozf-in/rad	Nm/rad	lbs	kg	ozf	N	ozf-in	Nm	ozf	N
10	0.07	20	0.14	560	3.95	0.2	0.09	200	55.6	50	0.35	25	6.95
20	0.14	40	0.28	880	6.21			320	89	80	0.56	40	11.1
50	0.35	100	0.71	3.2K	22.6			600	167	150	1.06	75	20.1
100	0.71	200	1.41	9.6K	67.8	0.5	0.23	800	222	200	1.41	100	27.8
200	1.41	400	2.82	27.2K	192			800	222	200	1.41	200	55.6

* Metric dimensions and capacities are provided for conversion only. Standard product will be sold in lbf and U.S. dimensions. Metric capacities available upon special request and at an additional cost.