

RC3

Stainless Steel, NTEP Certified 1:10,000 III, OIML1 C3 Multiple, Hermetically Sealed, IP69K



Interchangeable Products

FAIRBANKS®*

30t LCFHR4020-2A..... 70510

Dimensions

Picture is a representation of actual product

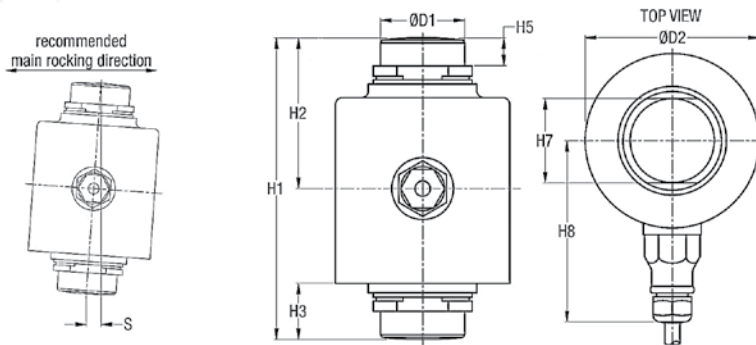
Rated Capacity	H1	H2	H3	H5	H7	H8	D1	D2
t/in								
7.5t - 22.5t	3.50	1.73	0.67	0.43	1.10	2.95	1.10	2.56
30t	5.51	2.76	2.20	0.51	1.55	3.31	1.55	3.19
40t	5.91	2.95	1.22	0.51	1.55	3.31	1.55	3.19
50t	7.01	3.50	1.26	0.67	1.73	3.71	1.73	3.90
t/mm								
7.5t-22.5t	89.00	44.00	17.00	11.00	28.00	75.00	28.00	65.00
30t	140.00	70.00	26.00	13.00	39.00	84.00	39.00	81.00
40t	150.00	75.00	31.00	13.00	39.00	84.00	39.00	81.00
50t	178.00	89.00	32.00	17.00	44.00	94.00	44.00	99.00

Order Information

Load Rating	Part #	Est. Weight	Price
7.5t	168944	3 lb	Consult
15t	168946	3 lb	Consult
22.5t	168947	3 lb	Consult
30t	84203	7 lb	Consult
40t	84204	9 lb	Consult
50t	84205	10 lb	Consult
Upper cup (50t)**	111365	5 lb	Consult
Lower cup (50t)**	111366	5 lb	Consult
Upper cup (50t)***	154107	5 lb	Consult
Lower cup (50t)***	154106	5 lb	Consult

**For Mettler-Toledo® digital to analog conversion: requires replacement of all system load cells, junction box and instrumentation; consult factory. Kit on page 84.

***Replacement cups for kits 129844 and 111367 on page 105.



Specifications

Full Scale Output:

2.0mV/V

Output Resistance:

1,000 (± 2) ohms

Input Resistance:

1,150 (± 50) ohms

Material/Finish:

Stainless steel

Temperature:

Compensated range
14° F to 104° F (-10° C to 40° C)
Operating range
-40° F to 150° F (-40° C to 65° C)

Safe Overload:

200% full scale

Safe Sideload:

200% full scale

Rated Excitation:

5-10 VDC (15 V maximum)

Combined Error:

0.02% full scale

Insulation Resistance:

5,000 megohms

Seal Type:

Hermetically sealed, IP69K

Cable Length:

59.1 ft (18 m)
(7.5t - 22.5t 40ft cables)

Cable Diameter:

0.307 polyurethane jacket

Cable Color Code:

Green+ Excitator
Black.....- Excitator
White+ Signal
Red- Signal
Yellow Shield

Warranty:

One-year limited warranty

Approvals:

