

# 1022

Aluminum, NTEP Certified 1:5000 Class III Single Cell, IP66



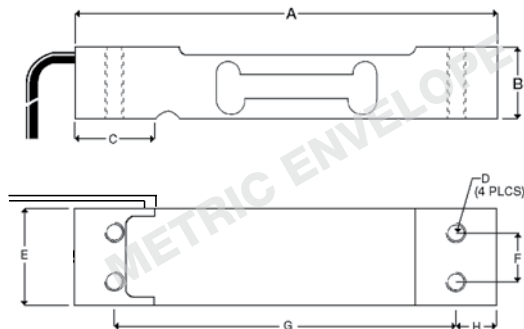
## Dimensions

Picture is a representation of actual product

Rated Capacity	A	B	C	D	E	F	G	H
<b>kg/mm</b>								
3-7	130.00	22.00	25.00	M6 x 1.00	25.4	15.00	106.00	12.00
10-30	130.00	22.00	25.00	M6 x 1.00	30.00	15.00	106.00	12.00
35	130.00	22.00	25.00	M6 x 1.00	40.00	15.00	106.00	12.00
<b>lb/in</b>								
6.6-15.4	5.12	0.87	0.99	M6 x 1.0	1.00	0.59	4.17	0.47
22.0-66.2	5.12	0.87	0.99	M6 x 1.0	1.18	0.59	4.17	0.47
77.2	5.12	0.87	0.99	M6 x 1.0	1.57	0.59	4.17	0.47

## Order Information

Load Rating		Part #	Est. Weight	Price
<b>1.5 ft Cables</b>				
3 kg	6.6 lb	41135	2 lb	Consult
5 kg	11.0 lb	41136	2 lb	Consult
7 kg	15.4 lb	41137	2 lb	Consult
10 kg	22.0 lb	41138	2 lb	Consult
15 kg	33.1 lb	41139	2 lb	Consult
20 kg	44.1 lb	41140	2 lb	Consult
30 kg	66.1 lb	41141	2 lb	Consult
35 kg	77.2 lb	41142	2 lb	Consult
<b>10 ft Cables</b>				
3 kg	6.6 lb	132269	2 lb	Consult
5 kg	11.0 lb	132270	2 lb	Consult
7 kg	15.4 lb	132271	2 lb	Consult
10 kg	22.0 lb	132272	2 lb	Consult
15 kg	33.1 lb	132273	2 lb	Consult
20 kg	44.1 lb	132274	2 lb	Consult
30 kg	66.1 lb	132275	2 lb	Consult
35 kg	77.2 lb	132276	2 lb	Consult
<b>OIML Version</b>				
10 kg	22.0 lb	150770	2 lb	Consult
15 kg	33.1 lb	150771	2 lb	Consult
20 kg	44.1 lb	150772	2 lb	Consult
30 kg	66.1 lb	150773	2 lb	Consult



## Interchangeable Products

RICE LAKE WEIGHING SYSTEMS

**RL1521A**..... page 168

VPG CELTRON®

**LPS**..... page 213

VPG BLH®

**C2G1**..... —

NMB®

**C2G1**..... —

## Specifications

### Full Scale Output:

2.0 mV/V

### Output Resistance:

350 (± 3) ohms

### Input Resistance:

415 (± 15) ohms

### Material/Finish:

Anodized aluminum

### Temperature:

Compensated range  
14°F to 104°F (-10°C to 40°C)  
Operating range  
-40°F to 150°F (-40°C to 65°C)

### Safe Overload:

150% full scale

### Rated Excitation:

5-10 VDC (15 V maximum)

### Total Error:

0.02% full scale

### Insulation Resistance:

2,000 megohms

### Seal Type:

Environmentally sealed, IP66

### Cable Length:

1.5 ft (0.5 m)  
10 ft (3.1 m)

### Cable Diameter:

0.140 PVC jacket

### Cable Color Code:

Green ..... + Excitation  
Black ..... - Excitation  
Red ..... + Signal  
White ..... - Signal

### Platform Size:

13.78 in x 13.78 in

### Warranty:

One-year limited warranty

### Approvals:



Available Available  
upon upon  
request request