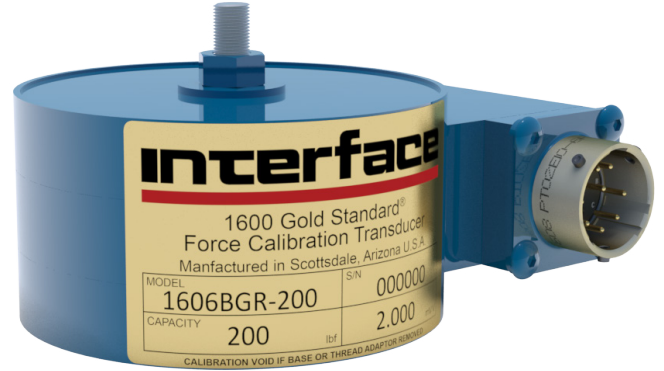


1606 GOLD STANDARD™ LOW CAPACITY CALIBRATION LOAD CELL (US & METRIC)

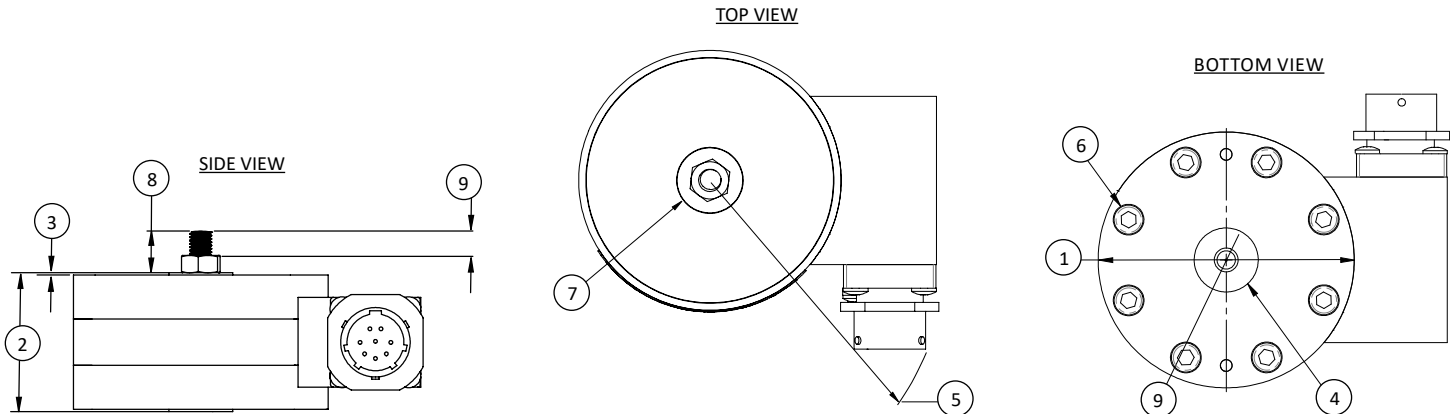
FEATURES & BENEFITS

- Capacities from 50 to 300 lbf (250 to 1,500N)
- Tension & compression in one unit
- 0.005% nonrepeatability
- 0.02% creep
- 3 run NIST traceable ASTM E74 calibration
- Factory installed calibration adapter
- Eccentric load compensated
- 0.0008%/°F temperature effect on output
- 4% lower load limit per ASTM E74
- Higher capacities available

STANDARD CONFIGURATION



Model 1606BGR-2.5K (shown)



DIMENSIONS

See Drawing	CAPACITY	
	U.S. (lbf)	Metric (N)
	50, 100, 200, 300	250, 500, 1000, 1500
	in	mm
(1)	2.75	69.8
(2)	1.50	38.1
(3)	0.03 2x	0.6 2x
(4)	0.69	17.5
(5)	2.85	72.3
(6)	8 Places	
(7)	0.69	17.5
(8)	0.45	11.4
(9)	1/4-28 UNF \downarrow 0.25	M6x1-6H \downarrow 6.4

1606 GOLD STANDARD™ LOW CAPACITY CALIBRATION LOAD CELL (US & METRIC)

SPECIFICATIONS

PARAMETERS	MODEL			
	1606		1606	
	CAPACITY			
	U.S. (lbf)	Metric (kN)	U.S. (lbf)	Metric (kN)
	50	250	100, 200, 300	500, 1000, 1500
ACCURACY – (MAX ERROR)				
Static Error Band – %FS	±0.03		±0.02	
Nonlinearity – %FS	±0.04		±0.03	
Hysteresis – %FS	±0.03		±0.02	
Non-repeatability – %RO	±0.005		±0.005	
Creep, 20 min – %	±0.02		±0.02	
Side Load Sensitivity – %	±0.25		±0.25	
Eccentric Load Sensitivity – % / in	±0.25		±0.25	
Lower Load Limit – % Cap. (ASTM E74 CLASS A)	4.0		4.0	
TEMPERATURE				
Compensated Range	°F	+15 to +115		+15 to +115
	°C	-10 to +45		-10 to +45
Operating Range	°F	-65 to +200		-65 to +200
	°C	-55 to +90		-55 to +90
Effect on Zero – %RO / °F MAX	±0.0008		±0.0008	
Effect on Output – % / °F MAX	±0.0008		±0.0008	
ELECTRICAL				
Rated Output – mV/V (Nominal)	2.0		2.0	
Excitation Voltage – VDC MAX	20		20	
Bridge Resistance – Ohm (Nominal)	700		700	
Zero Balance – %RO	±1.0		±1.0	
Insulation Resistance – Megohm	5000		5000	
MECHANICAL				
Safe Overload – %CAP	±150		±150	
Deflection @ RO	in	0.003		0.003
	mm	0.08		0.08
Weight	lbs	1.0		1.0
	kg	0.45		0.45
Calibration	Tension & Compression			
Material	Tool steel			

OPTIONS

- Connector protection
- Standardized output
- Transducer Electronic Data Sheet (TEDS)
- Custom calibration
- Multiple bridge
- Special threads
- Dual diaphragm
- Special temperature range

CONNECTOR

- PT02E-12-8P

ACCESSORIES

- Mating connector
- Mating cable
- Instrumentation
- Calibration software