



Pressure, Level & Temperature Transmitters & Transducers

2770 Long Road, Grand Island, NY 14072 USA

Tel. (716) 773-9300 • Fax (716) 773-5019

sales@gp50.com • www.gp50.com

ULTRA HIGH PRESSURE TRANSMITTER

Models 112, 212, 312



FEATURES:

- Rugged, all-welded, encapsulated electronics
- Leakproof, integral pressure cavity & sensor
- Many standard easy-to-order options

PRESSURE RANGES:

- From 0-20,000 psi to 0-150,000 psi
- From 0-1500 bar to 0-10,000 bar

ACCURACY:

- Accuracies to 0.2% FSO (RSS)
(Non-linearity, Hysteresis, Non-repeatability)

Accuracy:

(Includes Hysteresis, Non-linearity, Non-Repeatability)

- Series B (Std): $\pm 0.5\%$ FSO RSS

- Series C: $\pm 0.2\%$ FSO RSS

Zero Balance & FSO:

- $\pm 1.0\%$ FSO at 70°F for each

Long Term Stability:

- $< \pm 0.25\%$ FSO for 6 months at 70°F

Resolution:

- Infinite (.02% practical minimum)

Temperature Limits:

- Compensated: 0° F to +180° F
- Operating: -20° F to +190° F
- Storage: -65° F to +250° F
- Effect on Zero & Span: Within $\pm 2\%$ FSO/100°F for each.

Electricals:

- Excitation Voltage:
 - (Model 112) 3.5-15 Vdc
 - (Model 212) 9-40 Vdc
 - (Model 312) 9-40 Vdc
- Output at 70° F (FSO):
 - (Model 112) 3.0 mV/V $\pm 2\%$
 - (Model 212) 5.0 Vdc $\pm 2\%$
 - (Model 312) 4-20 mA $\pm 2\%$
- Input Current: (Model 212) 8 mA, nominal
- Load Impedance:
 - (Model 112) 50,000 ohms min. for less than 0.1% FSO attenuation
 - (Model 312) 1350 ohms max. at 36 Vdc & 750 ohms at 24 Vdc
- Output Current: (Model 212) 2.0 mA max. for less than 0.1% FSO attenuation
- Range Calibration Signal: Resistance value provided on calibration card for 100% FSO
- Insulation Resistance: Greater than 10 megohms at 50 Vdc and 70°F
- Cable: 24 AWG - 36" long

Mechanicals:

- Proof Pressure: 1.2 X full scale pressure or 160,000 psi, whichever is less.
- Burst Pressure: 2 X full scale pressure or 180,000 psi, whichever is less.
- Case material: Types 15-5 PH & 316 SST
- Weight: 12 oz., nominal

Connections:

- Pressure Ranges: 20,000 to 60,000 psi - autoclave type F-250-C
75,000 to 150,000 psi - autoclave type F312-C150

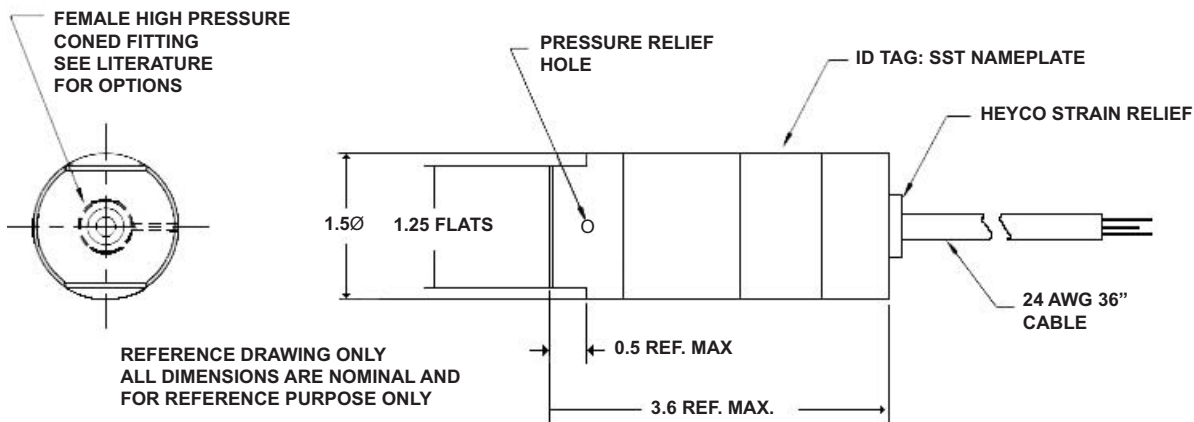
Wetted Materials:

- 0-20,000 to 60,000 psi - 17-4 stainless steel
- 0-61,000 to 0-150,000 psi - Vascomax 300

WIRING:

	112	212	312
A/1 RED	+EXC.	+EXC.	+EXC./SIGNAL
B/2 GREEN	+SIGNAL	+SIGNAL	NC
C/3 WHITE	-SIGNAL	NC	NC
D/4 BLACK	-EXC.	-EXC./SIGNAL	-EXC./SIGNAL
E/5 BLUE	NC OPTION GH	NC OPTION GH	NC OPTION GH
F/6 BROWN	NC OPTION GH	NC OPTION GH	NC OPTION GH
SHIELD	OPEN	OPEN	OPEN

Some options will affect dimensions. Consult factory if important.



A5SL-12.00 Rev B

GP:50 reserves the right to make product improvements and amendments to the product specifications stated throughout this brochure without prior notification. Please contact the factory on all critical dimensions and specifications for verification.



Pressure, Level & Temperature Transmitters & Transducers

2770 Long Road, Grand Island, NY 14072 USA

Tel. (716) 773-9300 • Fax (716) 773-5019

sales@gp50.com • www.gp50.com

ULTRA HIGH PRESSURE TRANSMITTER

Models 112, 212, 312

Typical configurations (consult factory for more options)

MODEL:

112 3 mV/V
212 0-5 Vdc
312 4-20 mA
312Z 4-20 mA (Intrinsically Safe)

ACCURACY:

B 0.5% FSO
C 0.2% FSO

PRESSURE RANGE:

(PSI)	(BAR)
SD 20,000	UB 1500
SE 25,000	UC 2000
SF 30,000	UD 3000
SH 50,000	UE 5000
SI 60,000	UG 10,000
SK 75,000	
SM 100,000	
SO 150,000	
SZ Non-std.	

PRESSURE PORT:

FM F-250-C std. on 20k-60k psi Autoclave Engineering type.
IC F-375-C, 3/4-16 (F) thread Autoclave Engineering type.
ID F-312-C150, 5/8-18 (F) thread Autoclave Engineering type std. on ranges above 75k.
FZ Non-standard port

OPTIONS

AA None (standard connector)

ALTERNATE CONNECTOR OR CABLE

CA Bendix PTIH-10-6P (Mate PT06E-10-6S [SR], not supplied)
CB Bendix CF3102E-14S-6P (Mate CF3106E-14S-6S, not supplied)
CC Bendix PCO2E-12-8P (Mate:PCO6A-12-8S-[SR] not supplied)
CD Cannon WK6-32S (Mate WK6-21C not supplied)
CE Terminal Block
CF 1/2" NPT Male Thread with 24" potted leads
CG MS3102A-14S-6S (mate: MS3106F-14S-6P not supplied)
CJ DIN 43650 (includes mate)
CO Junction Box (thermocouple type) and terminal block
CZ Alternate Connector/Cable/Other

ALTERNATE PRESSURE PORT

IC F-375-C, 3/4-16(F) thread autoclave engineering type
ID F-312-C150, 5/8-18(F) thread autoclave engineering type
FZ Non-standard port

GENERAL

GA Standardized FSO = (Full scale reading) - (Zero reading) $\pm 0.5\%$ FSO
GB Alternate Electronic Output (Specify Zero and Span output Values)
GE Improved Temperature. Compensation to $\pm 0.5\%$ FSO/100°F for Zero & Span respectively, from 0°F to 180°F.
GF Expanded process temperature range, -65 to 250°F ($\pm 2.0\%$ FSO/100°F)
GG Alternate shunt calibration signal (specify percentage FSO)
GH Internal shunt calibration resistor, set to 100% $\pm 0.5\%$ FSO
GJ Add Zero and Span Controls. (Approximately $\pm 20\%$ FSO adjustment)
GS 0-10 Vdc FSO, Model 212 only (Requires 14.5-32 Vdc excitation)
HE $\pm 0.5\%$ FSO zero balance
HL RFI Protection (for unit in proximity to radio transmitter)
HR ± 15 Vdc Excitation, Model 212
GZ Customer special

NOTE:

Specifications reflect standard product, improved performance / mechanical options available.

Modifications may alter specs, consult factory for more information.