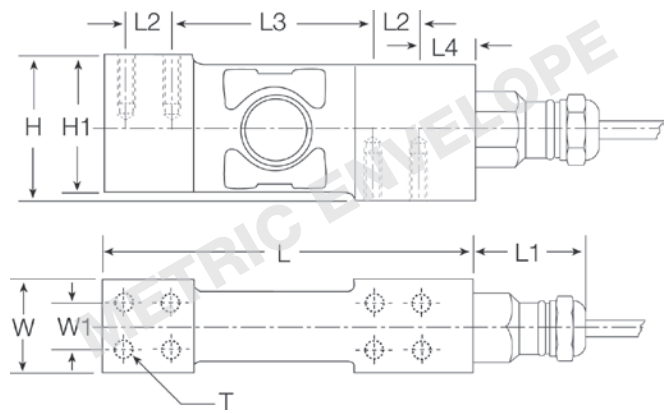


RLPC6



Single Point, Stainless Steel NTEP Certified 1:5000 Class III Single Cell, Hermetically Sealed, IP69K



Picture is a representation of actual product



Specifications

Full Scale Output: 2.0 mv/v Output Resistance: 960 (± 50) ohms, nominal Input Resistance: 1,100 (± 50) ohms Material/Finish: Stainless steel Temperature: Compensated range 14° F to 104° F / -10° C to 40° C Operating range -40° F to 150° F / -40° C to 65° C	Safe Overload: 200% full scale Safe Sideload: 100% full scale Rated Excitation: 5-10 VDC Total Error: 0.02% full scale Insulation Resistance: 5,000 megohms Seal Type: Hermetically sealed, IP69K	Cable Length: 10 ft (3.1 m) Cable Diameter: 0.196 polyurethane jacket Cable Color Code: Green+ Excitation Black- Excitation White+ Signal Red- Signal Yellow Shield Max Deflection 0.006-0.010	Max Platform Size: 24 in x 24 in Warranty: Two-year limited warranty Approvals:  
---	--	---	---

Dimensions

RATED CAPACITY	H	H1	L	L1	L2	L3	L4	W	W1	T
lb/inches										
22-441.0	1.89	1.80	4.84	1.61	0.60	2.66	0.70	1.18	0.60	8 x M6/15 DP
kg/mm										
10-200	48.0	45.5	123.0	41.0	15.2	67.6	17.8	30.1	15.2	8 x M6/15 DP

Order Information

LOAD RATING	PART #	EST. SHIPPING WEIGHT	PRICE
10 kg (22 lb)	87027	3 lb	Consult
20 kg (44.1 lb)	87028	3 lb	Consult
50 kg (110.2 lb)	87029	3 lb	Consult
100 kg (220.5 lb)	87030	3 lb	Consult
200 kg (441.0 lb)	87031	3 lb	Consult

Interchangeable Products

MANUFACTURER	MODEL	PAGE #
Flintec®	PC6	233