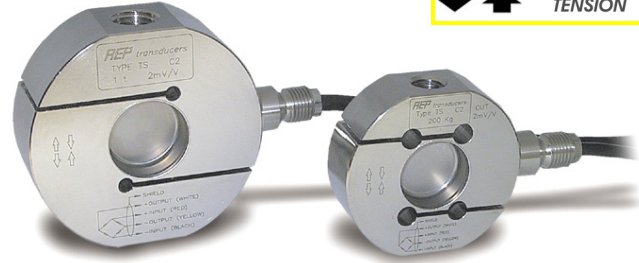


**Accessori Accessories**

Teste a snodo sferico  
Knuckle joints



Download on www.aep.it



OIML R60 Type: TSA  
Certificate: R60-2000-GB1-07.03



**OPZIONE** II 2 G Ex ib IIC T6  
**OPTION** II 2 D Ex ibD 21 T70°C  
Certificate: TÜV 06 ATEX 553026 X

Interamente saldata al LASER  
Completely LASER welded

Stabilità a lungo termine  
Long term high stability



**Dimensioni Dimensions**

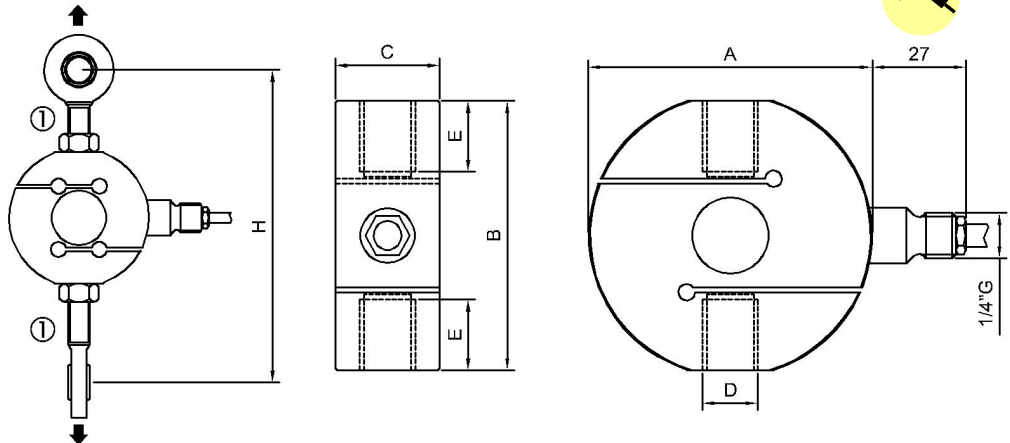
[mm]



**ACCESSORI**  
Teste a snodo sferico

**ACCESSORIES**  
Knuckle joints

LOAD	CODE
25 ÷ 500 kg	CACCEM12
500 kg ÷ 2t	CACCEM16
2.5 t	CACCEM20
5, 7.5 t	CACCEM25
10 t	CACCEM30



TS IN ACCORDANCE	CODE (C2)	CODE (C3)	LOAD	A	B	C	D	E	H
	CTS6310KC25	CTS6310KC35	10 kg	63.5	59.5	22	M12X1.75	12	~ 134
	CTS6325KC25	CTS6325KC35	25 kg						
	CTS6350KC25	CTS6350KC35	50 kg						
	CTS63100KC25	CTS63100KC35	100 kg						
	CTS63200KC25	CTS63200KC35	200 kg						
	CTS63300KC25	CTS63300KC35	300 kg						
	CTS63500KC25	CTS63500KC35	500 kg	82	78	30	M16X2	20	~ 170
	CTS82500KC25	CTS82500KC35	500 kg						
	CTS821TC25	CTS821TC35	1 t						
	CTS822TC25	CTS822TC35	2 t	82	78	30	M20X1.5	20	~ 194
	CTS822T5C25	CTS822T5C35	2.5t						
	CTS1025TC25	CTS1025TC35	5 t	102	90	45	M24X2	21.5	~ 235
	CTS1027T5C25	CTS1027T5C35	7.5t						
	CTS12710TC25	CTS12710TC35	10 t						

TSA APPROVED	CODE (C2)	CODE (C3)	CODE (C4)	LOAD	A	B	C	D	E	H
	CTSA63100KC25	CTSA63100KC35	/	100 kg	63.5	59.5	22	M12X1.75	12	~ 134
	CTSA63200KC25	CTSA63200KC35	/	200 kg						
	CTSA63300KC25	CTSA63300KC35	/	300 kg						
	CTSA63500KC25	CTSA63500KC35	/	500 kg						
	CTSA82500KC25	CTSA82500KC35	CTSA82500KC45	500 kg	82	78	30	M16X2	20	~ 170
	CTSA821TC25	CTSA821TC35	CTSA821TC45	1 t						
	CTSA822TC25	CTSA822TC35	CTSA822TC45	2 t						
	CTSA822T5C25	CTSA822T5C35	CTSA822T5C45	2.5t	102	90	45	M24X2	21.5	~ 235
	CTSA1025TC25	CTSA1025TC35	/	5 t						
	CTSA1027T5C25	CTSA1027T5C35	/	7.5t	102	90	45	M24X2	21.5	~ 235

## Dati Tecnici

## Technical Data



CLASSE DI PRECISIONE: OIML R60	ACCURACY CLASS: OIML R60	C2	C3	C4
DIVISIONI LEGALI	LEGAL DIVISIONS	2000	3000	4000
CARICO NOMINALE ( $E_{max}$ )	NOMINAL LOAD ( $E_{max}$ )	10 <sup>(1)</sup> - 25 <sup>(1)</sup> - 50 <sup>(1)</sup> kg 100 - 200 - 300 - 500 kg 1 - 2 - 2.5 - 5 - 7.5 - 10 <sup>(1)</sup> t		500 kg 1-2-2.5 t
INTERVALLO MINIMO DI VERIFICA ( $V_{min}$ )	MINIMUM VERIFICATION INTERVAL ( $V_{min}$ )	$E_{max} / 10000$		$E_{max} / 15000$
ERRORE COMBINATO NON RIPETIBILITA' RITORNO A ZERO dopo 30 min. CREEP al carico nominale: a) dopo 30 min. b) dopo 20 e 30 min.	COMBINED ERROR NON REPEATABILITY ZERO RETURN over 30 min. CREEP at nominal load: a) over 30 min. b) over 20 and 30 min.	$\leq \pm 0.023\%$ $\leq \pm 0.015\%$ $\leq \pm 0.025\%$	$\leq \pm 0.018\%$ $\leq \pm 0.010\%$ $\leq \pm 0.015\%$	$\leq \pm 0.015\%$ $\leq \pm 0.010\%$ $\leq \pm 0.010\%$
EFFETTO DELLA TEMPERATURA (10 °C) a) sullo zero b) sulla sensibilità	TEMPERATURE EFFECT (10 °C) a) on zero b) on sensitivity	$\leq \pm 0.028\%$ $\leq \pm 0.012\%$	$\leq \pm 0.010\%$ $\leq \pm 0.010\%$	$\leq \pm 0.008\%$ $\leq \pm 0.008\%$
SENSIBILITA' NOMINALE TOLLERANZA DI CALIBRAZIONE	NOMINAL SENSITIVITY SENSITIVITY TOLERANCE	2mV/V $\leq \pm 0.1\%$		
RESISTENZA DI INGRESSO RESISTENZA DI USCITA RESISTENZA DI ISOLAMENTO BILANCIAMENTO DI ZERO ALIMENTAZIONE DI RIFERIMENTO ALIMENTAZIONE NOMINALE ALIMENTAZIONE MAX.	INPUT RESISTANCE OUTPUT RESISTANCE INSULATION RESISTANCE ZERO BALANCE RECOMENDED SUPPLY VOLTAGE NOMINAL SUPPLY VOLTAGE MAXIMUM SUPPLY VOLTAGE	420 $\pm$ 20 $\Omega$ 350 $\pm$ 2 $\Omega$ > 5 G $\Omega$ $\leq \pm 1\%$ 10 V 1-15 V 18 V		
VALORI MECCANICI LIMITE riferiti al carico nominale: a) carico minimo b) carico di servizio c) carico limite d) carico di rottura e) massimo carico trasversale f) carico dinamico limite FRECCIA MAX. AL CARICO NOMINALE	MECHANICAL LIMIT values referred to nominal load: a) minimum load b) service load c) max permissible load d) breaking load e) max transverse load f) max permissible dynamic load DISPLACEMENT AT NOMINAL LOAD	0% 120% 150% >300% 100% 50% - 0.2 mm		
TEMPERATURA DI RIFERIMENTO CAMPO NOMINALE DI TEMPERATURA TEMPERATURA DI ESERCIZIO TEMPERATURA DI STOCCAGGIO	REFERENCE TEMPERATURE TEMPERATURE NOMINAL RANGE SERVICE TEMPERATURE STORAGE TEMPERATURE	+23°C -10/+40 °C -20/+70 °C -20/+80 °C		
PESO	WEIGHT	$\varnothing A=63.5$ : ~ 0.6 kg	$\varnothing A=82$ : ~ 1.2 kg	$\varnothing A=102$ : ~ 2.6 kg   $\varnothing A=127$ : ~ 4.4 kg
CLASSE DI PROTEZIONE (EN 60529)	PROTECTION CLASS (EN 60529)	IP68 (100h at 1m water column) IP65 (10, 25, 50 kg silicon cover) Acciaio Inox / Stainless Steel 5m		
MATERIALE DELLA CELLA LUNGHEZZA CAVO	EXECUTION MATERIAL CABLE LENGTH	5m		
TESTE A SNODO SFERICO CONSIGLIATE	RECOMMENDED KNUCKLE JOINTS	DURBAL EM12 - EM 17 - EM20 - EM25		

Accelerazione di gravità  $g=9.80434 \text{ m/s}^2$  / Acceleration of gravity  $g=9.80434 \text{ m/s}^2$

<sup>(1)</sup> Opzione ATEX **NON** disponibile / ATEX option **NOT** available.

## Collegamenti Elettrici

## Electrical Connections

Cavo schermato PVC 105°C,  $\varnothing 5.2\text{mm}$  a 4 conduttori  $\varnothing 0.35\text{mm}^2$  stagnati.

PVC 105°C shielded cable,  $\varnothing 5.2\text{mm}$  with 4 tinned  $\varnothing 0.35\text{mm}^2$  conductors.

Load Cell	OUTPUT	CABLE	CAVO
	EXCITATION+ EXCITATION - OUTPUT+ OUTPUT-	Red Black White Yellow Shield*	Rosso Nero Bianco Giallo Schermo*

\* Collegato al corpo della cella di carico.  
Connected to the body of the load cell.

# AEP transducers

Dasa-Rägister  
EN ISO 9001:2008  
IQ-1100-01

ACCREDIA  
L'ENTE ITALIANO DI ACCREDITAMENTO  
LAT N° 093  
Calibration Centre  
The products are NOT covered by accreditation

ATEX **Ex**  
Production Quality Assurance Certified n°  
TÜV 06 ATEX 553793 Q

41126 Cognento (MODENA) Italy Via Bottego 33/A Tel: +39-(0)59-346441 Fax: +39-(0)59-346437 E-mail: aep@aep.it

Al fine di migliorare le prestazioni tecniche del prodotto, la società si riserva di apportare variazioni senza preavviso.  
In order to improve the technical performances of the product, the company reserves the right to make any change without notice.