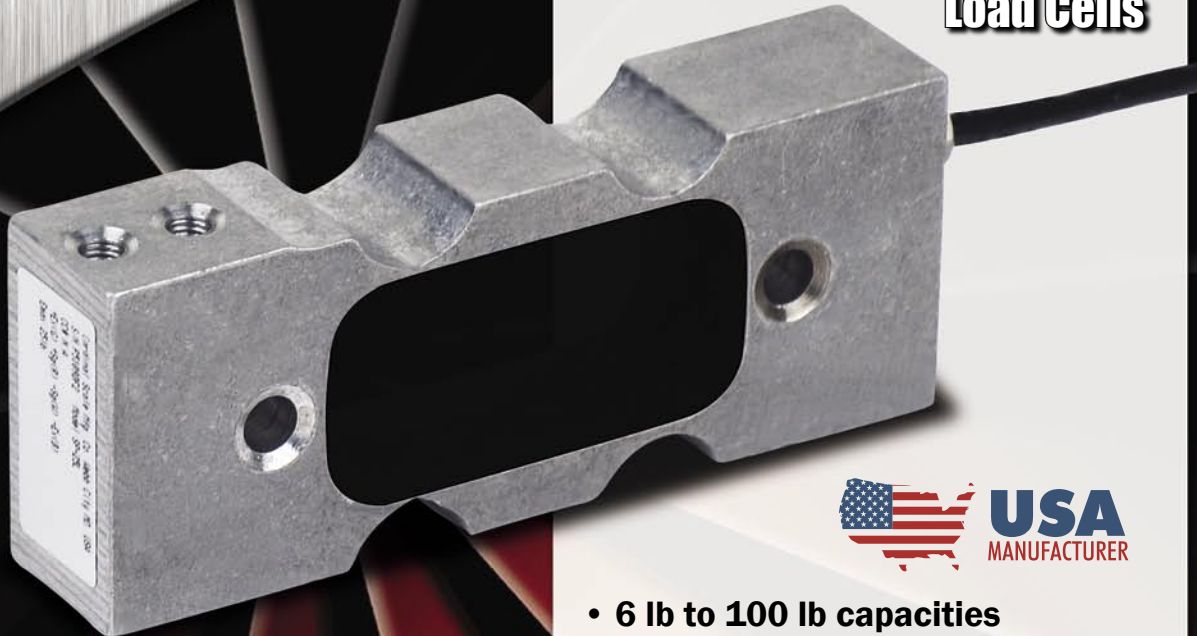


SP Series

Single Point, Aluminum Light-to-Medium Weighing Load Cells



SPECIFICATIONS

Overload	Safe: 150% Ultimate: 300%
Output mV/V	2 ± 10%
Resistance	Input: 400 - 454 ohms Output: 350 ± 5 ohms
Zero Balance	± 1% of rated output
Excitation / AC-DC	15 VDC maximum
Non-linearity	± 0.03% of rated output
Hysteresis	± 0.03% of rated output
Non-repeatability	± 0.02% of rated output
Creep	± 0.03% of load in 20 min.
Deflection	.012-inch to .020-inch
Insulation Resistance	5,000 megohms
Protection Class	IP-65
Accuracy Class	C3
Temperature Range	Compensated: 14°F to 104°F Operating: -20°F to +200°F
Temperature Effect	Rated Output: ± 0.0008%/ F of load Zero Balance: ± 0.0015%/ F of rated output

- 6 lb to 100 lb capacities
- Highly resistant to eccentric loads
- Aluminum alloy fabrication
- Direct mounting to weighing platform
- Proprietary sealant upon request
- 7-ft/2.1-m integral shielded cable
- VCAP certified
- 2-year warranty

Cardinal Scale's small-capacity single point load cells are manufactured for light to medium weighing operations such as bench or counter scales. These cells are fabricated from aircraft-quality aluminum, and are available in capacities from 6 lb to 100 lb.

The unique design of Cardinal's single point load cells offers cost-saving advantages for many weighing applications. The load cell can be mounted directly to the weighing platform, thereby eliminating flexures, pivots, bearings and mechanical levers. All load cells feature threaded mounting holes, and a 7-ft / 2.1-m integral multiconductor cable secured by a strain relief seal.

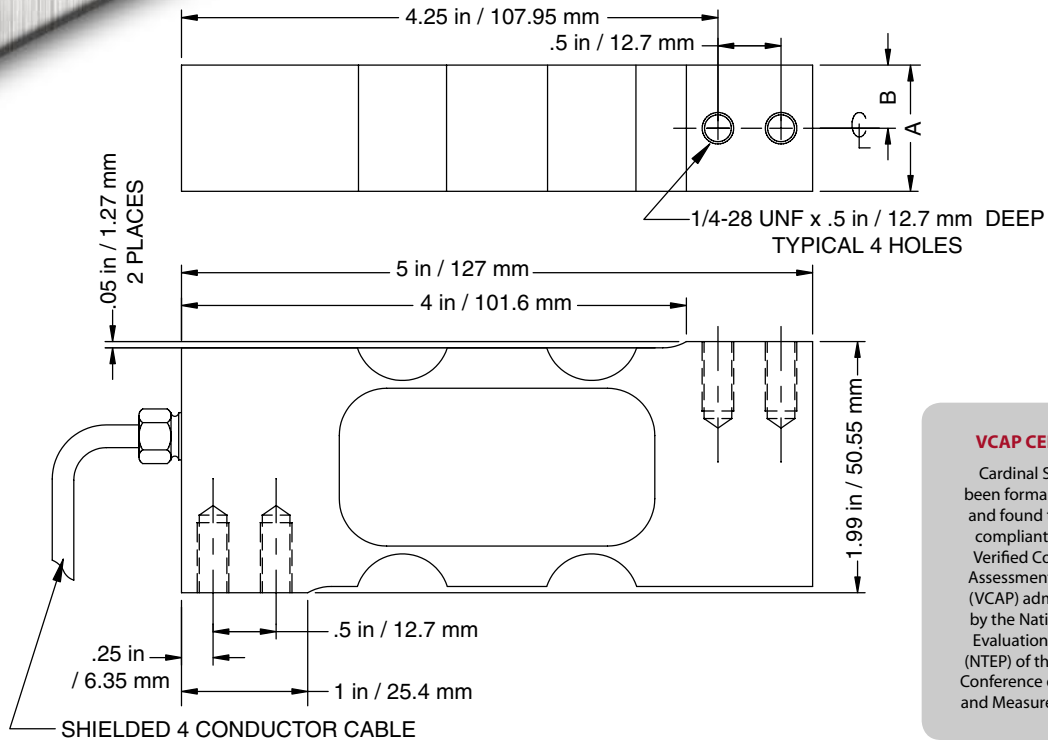
LOAD CELLS

MADE IN USA

SP

Single Point SP Series

Light-to-Medium Weighing Aluminum Load Cells



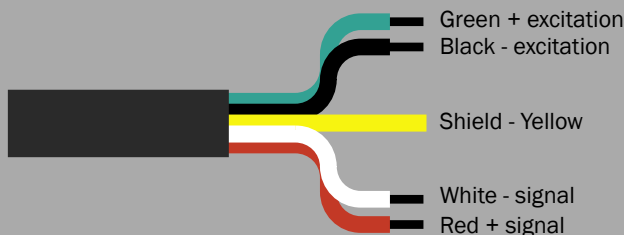
VCAP CERTIFIED

Cardinal Scale has been formally audited and found to be fully compliant with the Verified Conformity Assessment Program (VCAP) administered by the National Type Evaluation Program (NTEP) of the National Conference on Weights and Measures (NCWM).

MODEL	CAPACITY	"A"	"B"
SP-6L	6 lb / 3 kg	0.5 in / 12.7 mm	0.25 in / 6.4 mm
SP-10L	10 lb / 5 kg	1 in / 25.4 mm	0.5 in / 12.7 mm
SP-15L	15 lb / 7 kg	1 in / 25.4 mm	0.5 in / 12.7 mm
SP-25L	25 lb / 12 kg	1 in / 25.4 mm	0.5 in / 12.7 mm
SP-50L	50 lb / 23 kg	1 in / 25.4 mm	0.5 in / 12.7 mm
SP-100L	100 lb / 45 kg	1 in / 25.4 mm	0.5 in / 12.7 mm



ELECTRICAL INFORMATION



State-of-the-Art Load Cell Manufacturing Facility

ISO 9001 Quality Environment



Cardinal Scale reserves the right to improve, enhance or modify features and specifications without prior notice. All registered trademarks are the property of their respective owners.



Cardinal Scale Manufacturing Co.

203 E. Daugberty, Webb City, MO 64870 USA

Pb: 417-673-4631 or 800-441-4237 • Fax: 417-673-5001

www.CardinalScale.com

SOLD BY: