

# Model SPI Platform Scale Load Cell

## Capacities 25-150 lbf



**Why the Interface model SPI Platform Scale Load Cell is the best in class:**

- Proprietary Interface temperature compensated strain gages
- .01% nonrepeatability
- Safe overload to 200%
- .0008%/°F temp. effect on output
- Eccentric load compensated

### STANDARD CONFIGURATION

5 ft Integral Cable (SPI-nn)

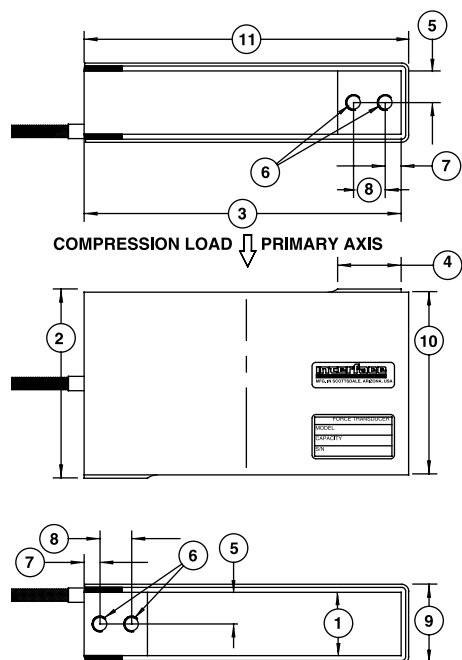
### OPTIONS

Extra Cable Length  
Standardized Output

### ACCESSORIES

Instrumentation

*Consult factory for more technical information*



### SPECIFICATIONS

#### ACCURACY – (MAX ERROR)

Nonlinearity–% FS	±0.02
Hysteresis–% FS	±0.02
Nonrepeatability–% RO	±0.01
Creep, in 20 min–%	±0.025
Eccentric load sensitivity–%/inch	0.002

#### TEMPERATURE

Compensated Range–°F	15 to 115
Compensated Range–°C	-10 to 45
Operating Range–°F	-65 to 200
Operating Range–°C	-55 to 90
Effect on Output–%/°F – MAX	±0.0008
Effect on Zero–% RO/°F – MAX	±0.0015

#### ELECTRICAL

Rated Output–mV/V (Nominal)	3.0
Zero Balance–% RO	±5.0
Bridge Resistance–Ohm (Nominal)	350
Excitation Voltage – MAX	15 VDC
Insulation Resistance–Megohm	5000

#### MECHANICAL

Calibration	Compression
Safe Overload–% CAP	200
Cable length–ft	5
Deflection @ RO–inch	to .008
Natural Frequency/Deflection:	

lbf	Deflection (inches)	Nat. Freq. (hertz)
25	.008	240
50	.008	310
100	.007	470
150	.005	580

### DIMENSIONS

See Drawing	CAPACITY (lbf)			
	25, 50		100, 150	
	inch	mm	inch	mm
①	1.00	25.4	1.00	25.4
②	3.00	76.2	3.00	76.2
③	5.00	127	6.00	152.4
④	1.00	25.4	1.50	38.1
⑤	0.50	12.7	0.50	12.7
⑥	1/4-28 UNF-2B		1/4-28 UNF-2B	
⑥	0.56 in deep		0.56 in deep	
⑦	0.25	6.40	0.25	6.40
⑧	0.50	12.7	1.00	25.4
⑨	1.25	31.8	1.25	31.8
⑩	2.88	73.0	2.88	73.0
⑪	5.12	130	6.12	155.4