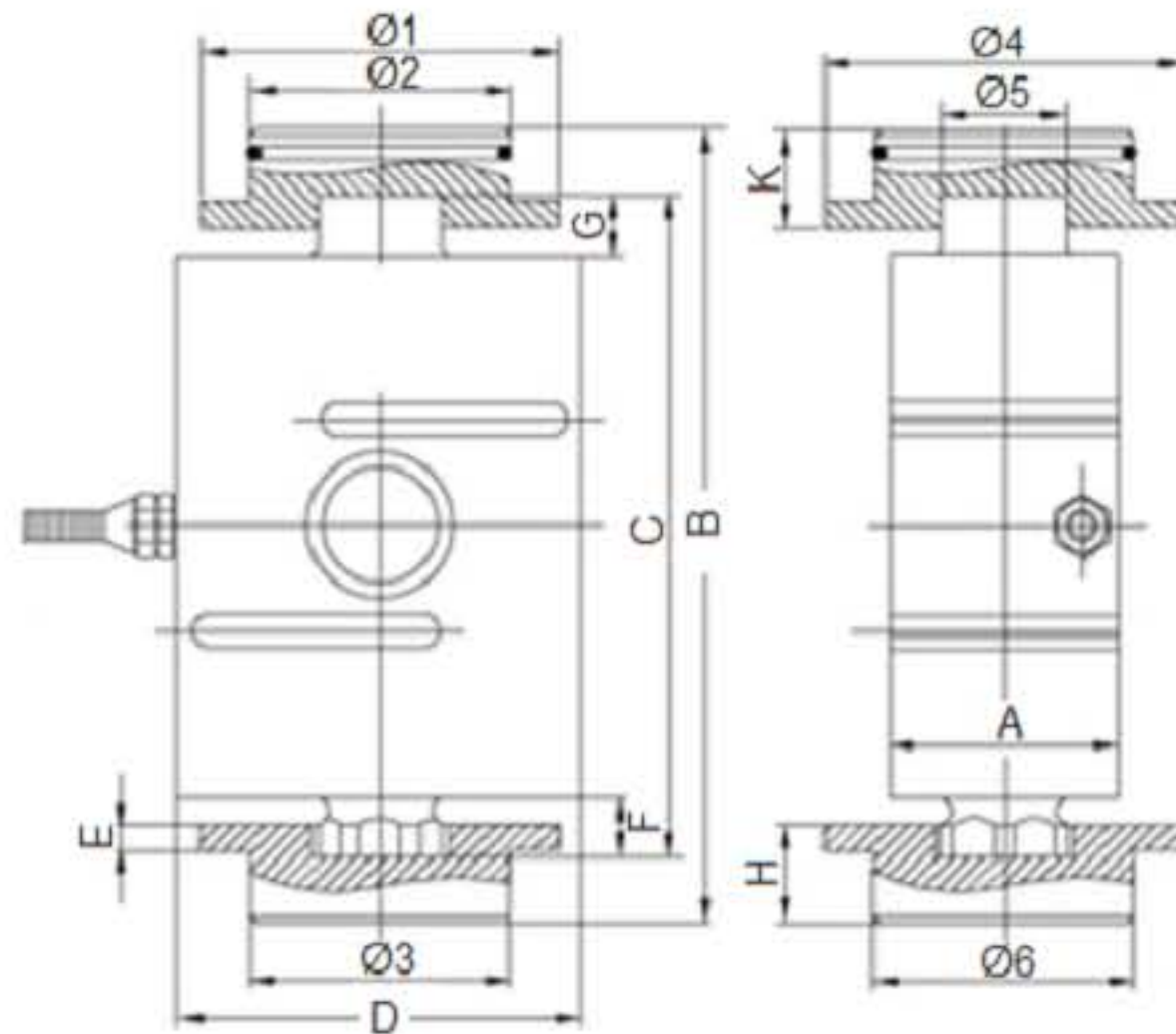


# SLZY Compression Load Cell Alloy Steel



## SPECIFICATIONS :

|                                    |                                                                                                  |
|------------------------------------|--------------------------------------------------------------------------------------------------|
| Rated Output                       | $2 \pm 0.005 \text{mV/V FS}$                                                                     |
| Nonlinearity                       | $\pm 0.02\% \text{ FS}$                                                                          |
| Hysteresis                         | $\pm 0.02\% \text{ FS}$                                                                          |
| Repeatability                      | $\pm 0.01\% \text{ FS}$                                                                          |
| Creep                              | $\pm 0.02\% \text{ FS/30min}$                                                                    |
| Zero Balance                       | $\pm 1\% \text{ FS}$                                                                             |
| Temperature Effect On Zero         | $\pm 0.02\% \text{ FS/10}^\circ\text{C}$                                                         |
| Temperature Effect On Rated Output | $\pm 0.02\% \text{ FS/10}^\circ\text{C}$                                                         |
| Input Resistance                   | $380 \pm 10 \Omega$                                                                              |
| Output Resistance                  | $352 \pm 2 \Omega$                                                                               |
| Insulation Resistance              | $\geq 5000 \text{M}\Omega$                                                                       |
| Excitation Voltage                 | 10(Recommended), 15(Max)VDC/AC                                                                   |
| Compensated Temperature Range      | $-10 \text{ to } +50^\circ\text{C}$                                                              |
| Operating Temperature Range        | $-20 \text{ to } +65^\circ\text{C}$                                                              |
| Safe Overload                      | 150% FS                                                                                          |
| Ultimate Overload                  | 300% FS                                                                                          |
| Protection Class                   | IP 68                                                                                            |
| Cable Length                       | 12 m                                                                                             |
| Cable Color Code                   | <b>Red</b> + Excitation, <b>Black</b> - Excitation, <b>Green</b> + Signal, <b>White</b> - Signal |

## DIMENSIONS :

| Capacity | mm |     |     |     |   |    |    |    |    |     |      |    |     |      |    |
|----------|----|-----|-----|-----|---|----|----|----|----|-----|------|----|-----|------|----|
|          | A  | B   | C   | D   | E | F  | G  | H  | K  | Ø1  | Ø2   | Ø3 | Ø4  | Ø5   | Ø6 |
| 15,20    | 70 | 243 | 203 | 124 | 8 | 18 | 18 | 30 | 30 | 110 | 79.5 | 80 | 110 | 37.8 | 80 |
| 30       | 80 | 243 | 203 | 124 | 8 | 18 | 18 | 30 | 30 | 110 | 79.5 | 80 | 110 | 37.8 | 80 |

Dimensions and specifications are subject to change without notice.



<http://www.sensolink.com> E-mail: [sales@sensolink.com](mailto:sales@sensolink.com)