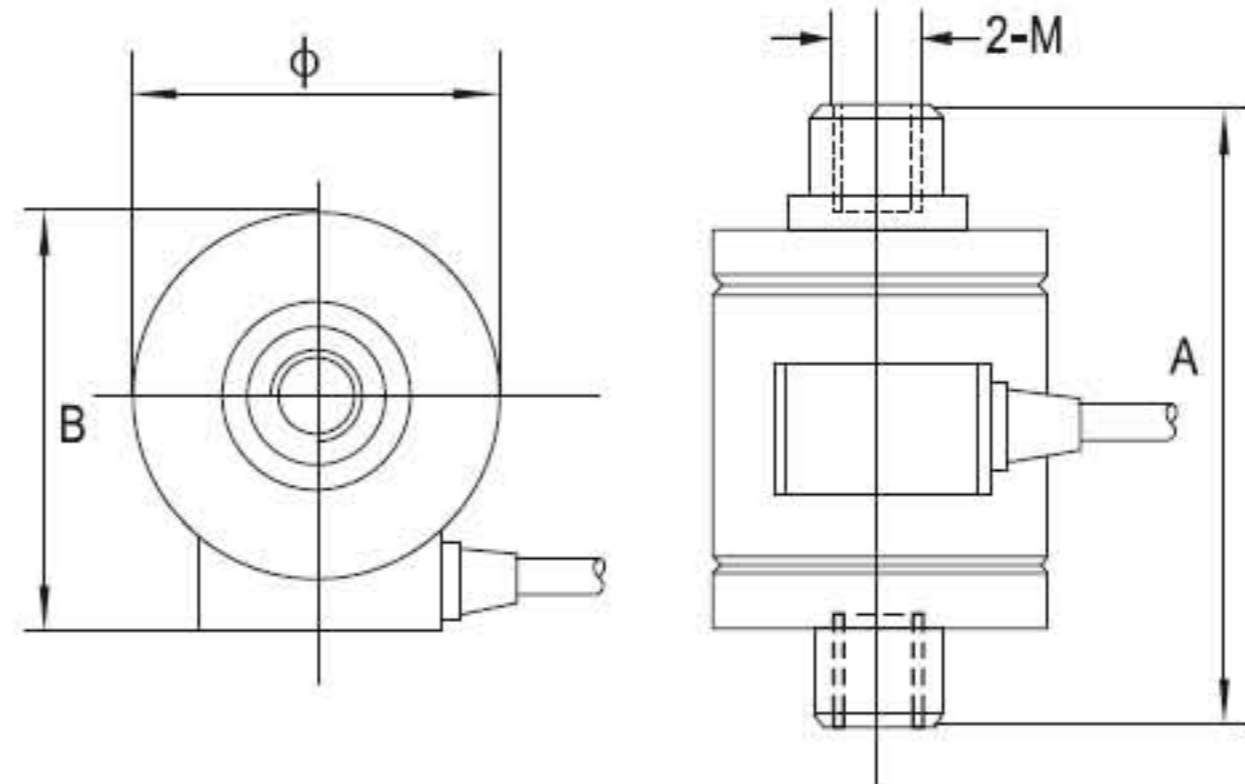


# SLT Tension Load Cell

Stainless Steel



## SPECIFICATIONS :

<b>Rated Output</b>	<b>2 ±0.1mV/V FS</b>
<b>Nonlinearity</b>	<b>±0.03% FS</b>
<b>Hysteresis</b>	<b>±0.03% FS</b>
<b>Repeatability</b>	<b>±0.02% FS</b>
<b>Creep</b>	<b>±0.03% FS/30min</b>
<b>Zero Balance</b>	<b>±1% FS</b>
<b>Temperature Effect On Zero</b>	<b>±0.02% FS/10°C</b>
<b>Temperature Effect On Rated Output</b>	<b>±0.02% FS/10°C</b>
<b>Input Resistance</b>	<b>385 ±10Ω</b>
<b>Output Resistance</b>	<b>350 ±3Ω</b>
<b>Insulation Resistance</b>	<b>≥ 5000MΩ</b>
<b>Excitation Voltage</b>	<b>10(Recommended), 15(Max)VDC/AC</b>
<b>Compensated Temperature Range</b>	<b>-10 to +50°C</b>
<b>Operating Temperature Range</b>	<b>-20 to +60°C</b>
<b>Safe Overload</b>	<b>150% FS</b>
<b>Ultimate Overload</b>	<b>300% FS</b>
<b>Protection Class</b>	<b>IP 67</b>
<b>Cable Length</b>	<b>16.4' / 5m</b>
<b>Cable Color Code</b>	<b>Red + Excitation, Black -Excitation, Green + Signal, White -Signal</b>

## DIMENSIONS :

Capacity	A	B	Ø	M
kg				
100,200,300,500,700,1t	104	68	56	M16x1.5
2t, 3t, 5t, 7t,	120	78	64	M24x2.0
10t	156	88	75	M33x2.0
15t, 20t	164	121	100	M36x3.0
30t	210	140	110	M45x4.5

Dimensions and specifications are subject to change without notice.



<http://www.sensolink.com> E-mail:sales@sensolink.com