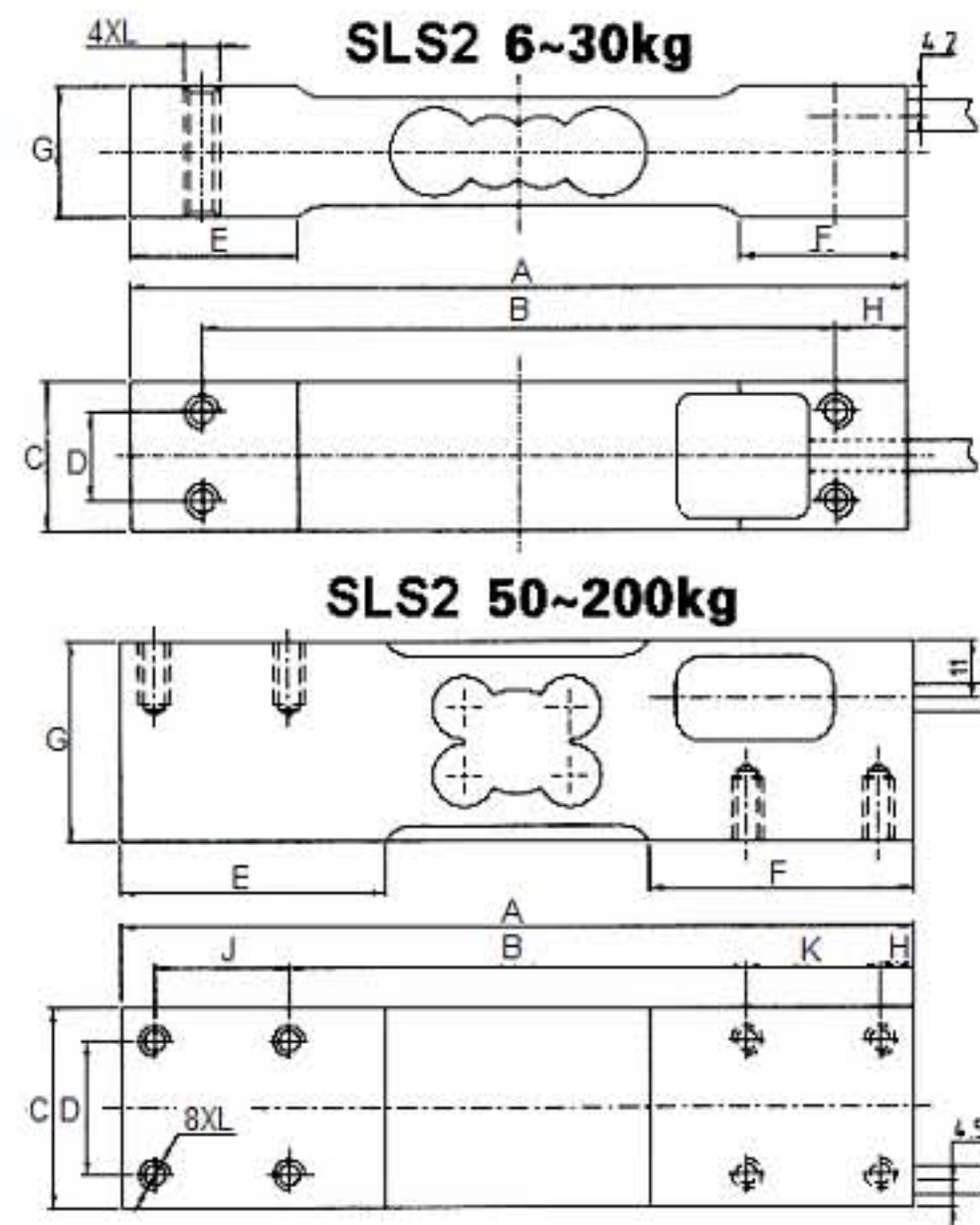


SLS2

Single Point Load Cell

Aluminium



SPECIFICATIONS:

| | |
|------------------------------------|--|
| Rated Output | 2.0mV/V ± 10% FS |
| Nonlinearity | ± 0.02% FS |
| Hysteresis | ± 0.02% FS |
| Repeatability | ± 0.02% FS |
| Creep | ± 0.02% FS/30min |
| Zero Balance | ± 5% FS |
| Temperature Effect On Zero | ± 0.023% FS/10°C |
| Temperature Effect On Rated Output | ± 0.014% FS/10°C |
| Input Resistance | 404 ± 15 Ω |
| Output Resistance | 350 ± 3 Ω |
| Insulation Resistance | ≥ 2000M Ω |
| Excitation Voltage | 10(Recommended), 15(Max)VDC/AC |
| Compensated Temperature Range | -10 to +40°C |
| Operating Temperature Range | -20 to +50°C |
| Safe Overload | 150% FS |
| Ultimate Overload | 200% FS |
| Protection Class | IP 65 |
| Cable Length | 0.4 (6-30Kg), 1 (50-300Kg) |
| Cable Color Code | Red + Excitation, Black - Excitation, Green + Signal, White - Signal |

DIMENSIONS:

mm

| Capacity | A | B | C | D | E | F | G | H | J | K | L |
|----------|-----|------|----|------|------|------|----|-----|------|------|----|
| Kg | | | | | | | | | | | |
| 6~30 | 130 | 106 | 25 | 15 | 28 | 28 | 23 | 12 | X | X | M6 |
| 50~200 | 150 | 86.6 | 38 | 25.4 | 2X50 | 2X50 | 38 | 6.3 | 25.4 | 25.4 | M6 |

Dimensions and specifications are subject to change without notice.



<http://www.sensolink.com> E-mail: sales@sensolink.com