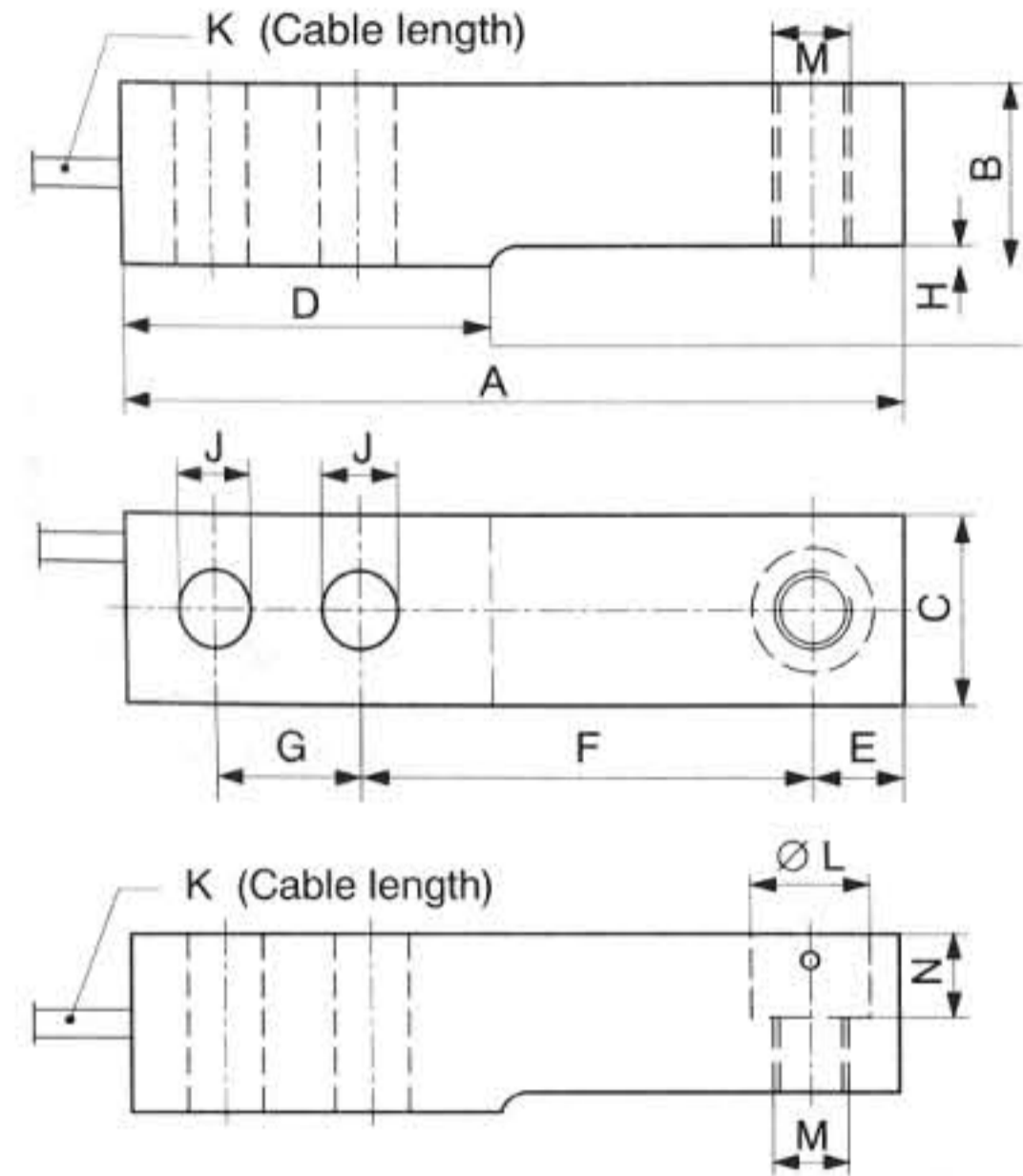
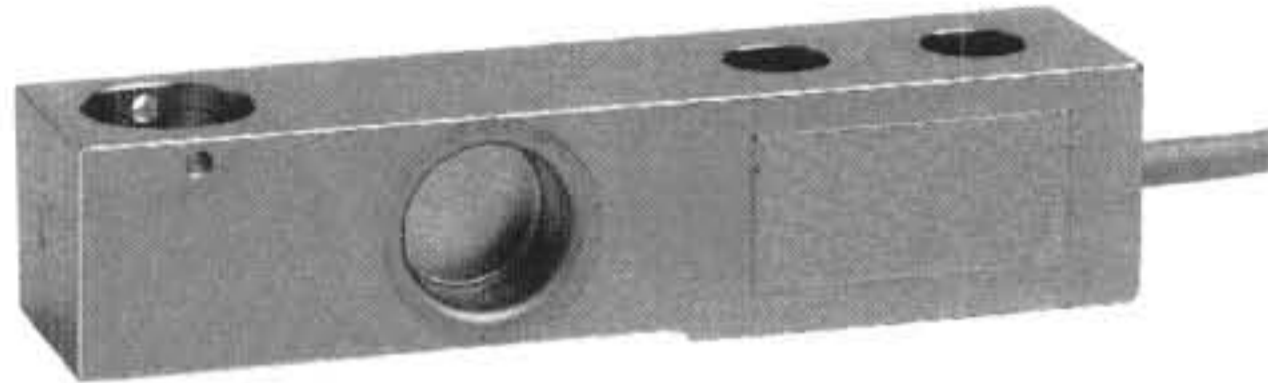


SLP9 Single Ended Shear Beam Stainless Steel



SPECIFICATIONS :

Rated Output	1.94, 2(2t) ±0.1% mV/V FS
Nonlinearity	±0.017% FS
Hysteresis	±0.017% FS
Repeatability	±0.01% FS
Creep	±0.0166%FS/30min
Zero Balance	±1% FS
Temperature Effect On Zero	±0.014(220kg/1.76t/2.2t/4.4t), ±0.0127(550kg/1.1t)% of FS/10K
Temperature Effect On Rated Output	±0.014% of FS/10K
Input Resistance	350±50Ω
Output Resistance	350±2Ω
Insulation Resistance	≥5000MΩ
Excitation Voltage	10 (Recommended), 15(Max)VDC/AC
Compensated Temperature Range	-10 to +40°C
Operating Temperature Range	-30 to +70°C
Safe Overload	150% FS
Ultimate Overload	300% FS
Protection Class	IP 68
Cable Length	(220kg~550kg)3m, (2.2t~4.4t)6m
Cable Color Code	Green + Excitation, Black -Excitation, White + Signal, Red -Signal

DIMENSIONS :

Capacity	mm												
	A	B	C	D	E	F	G	H	J	K	L	M	N
kN													
220Kg/550Kg/1.1t/1.76t/2t	133.4	30.2	30.7	57.7	15.4	76.2	25.4	1.7	13.0	3.0	20.6	M12	14.2
2.2t	171.5	36.5	36.8	76.2	19.1	95.3	38.1	2.5	20.5	6.0	30.2	M20	17.0
4.4t	171.5	42.9	42.9	76.2	19.1	95.3	38.1	2.5	20.5	6.0	30.2	M20	20.1

Dimensions and specifications are subject to change without notice.



<http://www.sensolink.com> E-mail: sales@sensolink.com