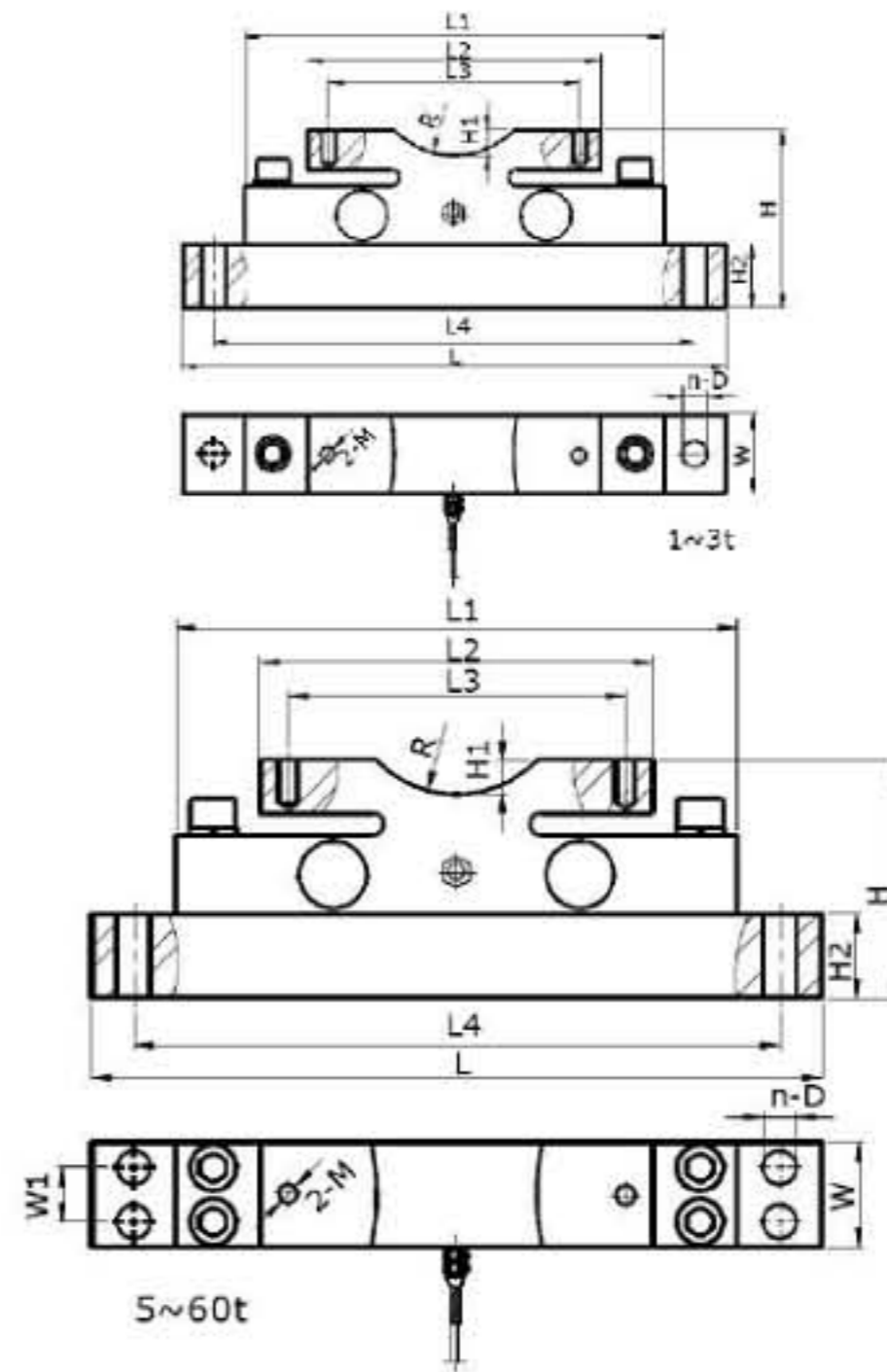


SLD3 Double-Ended Beam Load Cell Tool Steel



SPECIFICATIONS:

Rated Output	$2 \pm 0.2\% \text{ mV/V FS}$
Nonlinearity	$\pm 0.03\% \text{ FS}$
Hysteresis	$\pm 0.03\% \text{ FS}$
Repeatability	$\pm 0.02\% \text{ FS}$
Creep	$\pm 0.02\% \text{ FS/30min}$
Zero Balance	$\pm 1\% \text{ FS}$
Temperature Effect On Zero	$\pm 0.03\% \text{ FS/10}^\circ\text{C}$
Temperature Effect On Rated Output	$\pm 0.03\% \text{ FS/10}^\circ\text{C}$
Input Resistance	$775 \pm 5 \Omega$
Output Resistance	$700 \pm 2 \Omega$
Insulation Resistance	$\geq 5000 \text{ M}\Omega$
Excitation Voltage	10(Recommended), 15(Max)VDC/AC
Compensated Temperature Range	$-10 \text{ to } +50^\circ\text{C}$
Operating Temperature Range	$-30 \text{ to } +70^\circ\text{C}$
Safe Overload	150% FS
Ultimate Overload	300% FS
Protection Class	IP 67
Cable Length	3m
Cable Color Code	Red + Excitation, Black -Excitation, Green + Signal, White -Signal

DIMENSIONS:

Capacity Kg	mm												
	L	L1	L2	L3	L4	H	H1	H2	W	W1	M	n-D	R
1~3 t	320	230	145	120	275	85	18	25	40	-	M12	2- ϕ 18	60
5, 7, 10 t	310	240	145	120	275	100	18	30	50	25	M12	4- ϕ 13	60
15, 20, 30 t	390	300	210	180	345	127	20	45	56	29	M16	4- ϕ 18	80
40, 50, 60 t	500	395	235	200	445	173	21	67	86	45	M20	4- ϕ 22	90

Dimensions and specifications are subject to change without notice.



<http://www.sensolink.com> E-mail: sales@sensolink.com