

▶ CISB SSW

▶ S-BEAM
▶ STAINLESS STEEL
Welded Seal

Coti, Inc. • 122 Export Circle • Huntsville, Alabama 35806 • Toll Free: 1-888-268-4462 • Fax: 256-859-5024 • www.cotiinc.com



CISB SSW ORDER INFORMATION

	DISCOUNT C	SUGGESTED LIST PRICE
750lb, 1K, 1.5K, 2K, 2.5K, 3K		\$ 465.00
5K		\$ 650.00
10K		\$ 650.00
15K		\$ 850.00
20K		\$ 995.00

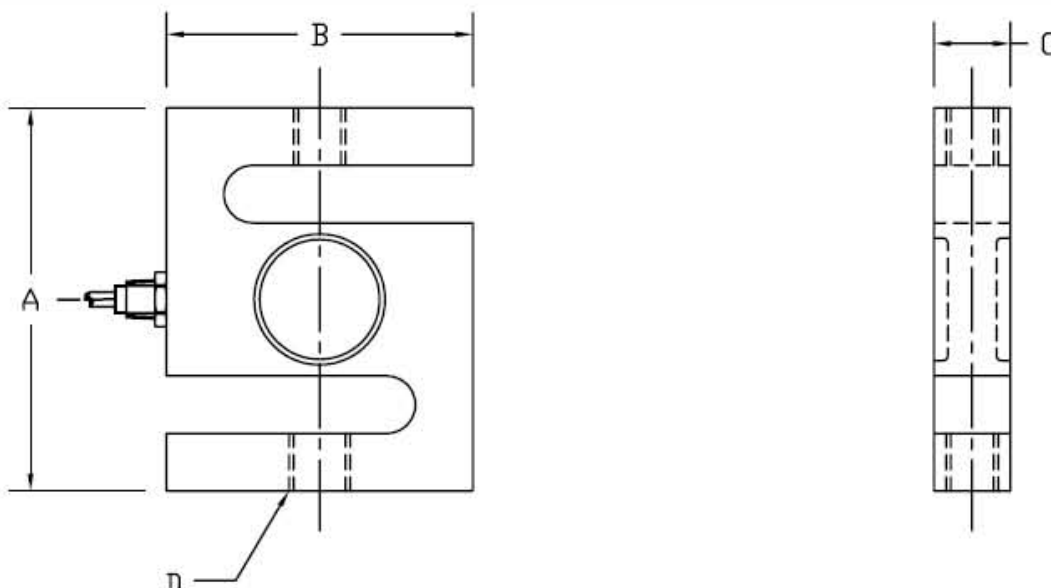
INTERCHANGEABLE PRODUCTS

Rice Lake Weighing Systems.....	RL20001 HE
Sensortronics.....	60063
Celltron.....	STC HSS

WEIGH MODULE AVAILABLE

COTI.....	ITCM
-----------	------

Main Dimensions and Accessories



RATED CAPACITY	DIMENSIONS					
	A	B	C	D		
750LB-3K	3.00	2.00	1.00	1/2-20UNF		
5K	4.25	2.25	1.00	3/4-16UNF		
10K	4.25	2.25	1.00	3/4-16UNF		
15K	5.50	3.95	1.25	1-14UNF		
20K	7.00	5.00	2.00	1-1/4-12UNF		

▶ SPECIFICATIONS ◀

Rated Output (mV/V)	2.00	Bridge Resistance	350
Nonlinearity	+/- 0.02% FS	Insulation Resistance	5000 Megohms
Hysteresis	+/- 0.02% FS	Excitation Voltage	10V AC/DC (15V Max)
Repeatability	+/- 0.01% FS	Compensated Temperature Range	-10°C - +50°C
Creep (30 minutes)	+/- 0.02% FS	Operating Temperature Range	-20°C - +60°C
Zero Balance	+/- 1.00% FS	Safe Overload	150% FS
Temperature Effect on Zero	+/- 0.02% FS/10° C	Cable Length	20' Standard Cable
Temperature Effect on Output	+/- 0.02% FS/10° C	Seal Type	Welded-Seal, IP67
Cable Color Code	Input	Output	
	Green +Excitation	White +Signal	
	Black -Excitation	Red -Signal	