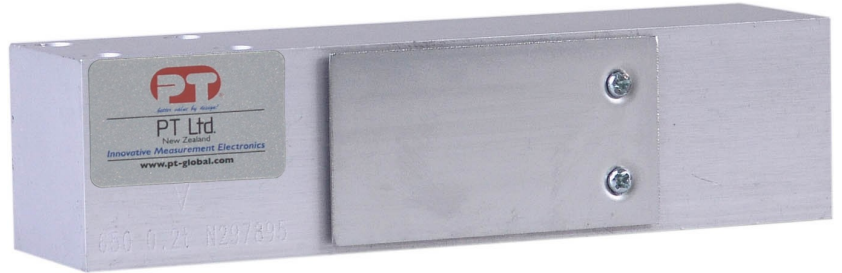


# PTASP6-Q

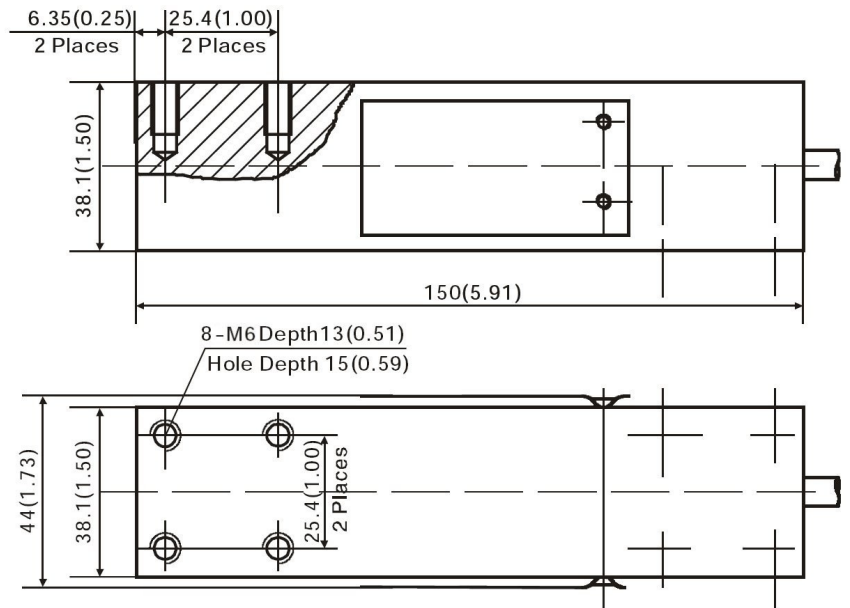
## ALUMINIUM SINGLE POINT

- Fully sealed
- C3 accuracy class
- Anodised for protection
- For platform and retail scales
- Suits 400mm x 400mm platform



### Models

Capacity	Order	Weight (kg)
50kg	SPM0050A06QXXX	0.65
100kg	SPM0100A06QXXX	0.65
150kg	SPM0150A06QXXX	0.65
200kg	SPM0200A06QXXX	0.65
250kg	SPM0250A06QXXX	0.65



NOTE: dimensions are in mm.

### Specifications

Signal Output at Capacity.....	2±0.2 mV/V	Service Load.....	100% Capacity
Linearity Error.....	< 0.017% FSO	Safe Load.....	150% Capacity
Non-Repeatability.....	< 0.010% FSO	Ultimate Load.....	300% Capacity
Combined Error.....	< 0.020% FSO	Input Resistance.....	406Ω ± 6Ω
Off Centre Load Error.....	< 0.020% FSO	Output Resistance.....	350Ω ± 3Ω
Creep/(30 mins.).....	< 0.020% FSO	Insulation Resistance.....	> 5000 MΩ (@50 VDC)
Zero Balance.....	< 2% Capacity	Excitation Voltage(Rec.).....	5~12 V AC/DC
Temperature Effect on Span(/10C).....	< 0.014% FSO	Excitation Voltage(Max.).....	18 V AC/DC
Temperature Effect on Zero(/10C).....	< 0.017% FSO	Cable.....	3m long, Ø5.0 mm
Operating Temperature Range.....	-35 ~ +65 C	Material.....	6 core screened PVC
Compensated Temperature Range.....	-10 ~ +40 C	Sealing.....	IP65
Storage Temperature Range.....	-50 ~ 85 C		

### Wiring Connections

Excitation +ve.....	Green	Sense +ve.....	Blue	Signal +ve.....	Red
Excitation -ve.....	Black	Sense -ve.....	Brown	Signal -ve.....	White

R81030