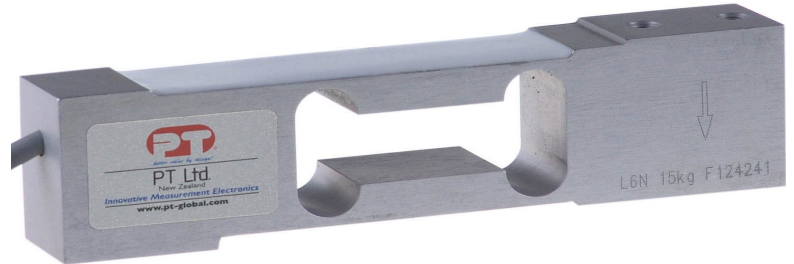


PTASP6-N

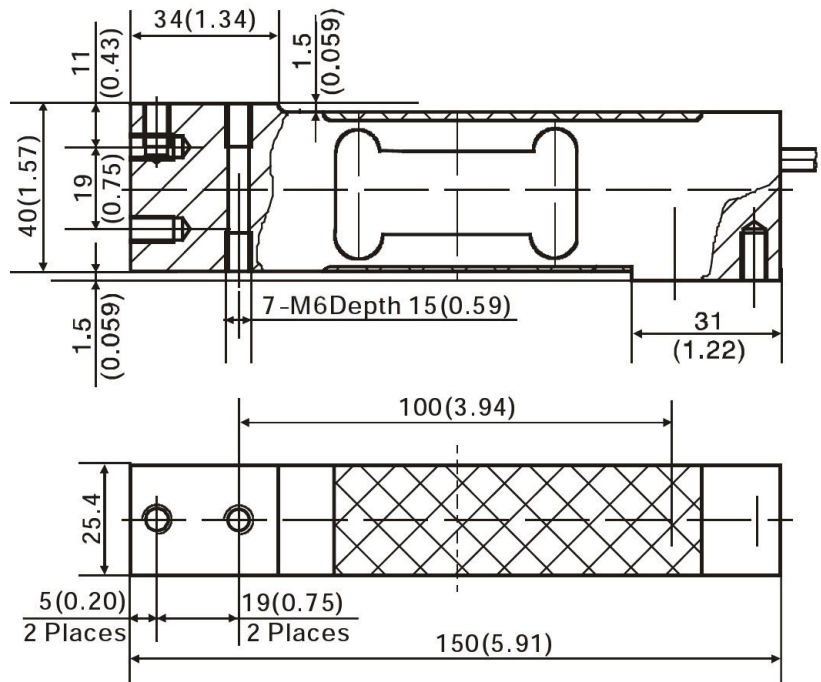
ALUMINIUM SINGLE POINT

- Fully sealed
- C3 accuracy class
- Anodised for protection
- For platform and retail scales
- Suits 400mm x 400mm platform



Models

| Capacity | Order | Weight (kg) |
|----------|----------------|-------------|
| 3kg | SPM0003A06NXXX | 0.35 |
| 5kg | SPM0005A06NXXX | 0.35 |
| 8kg | SPM0008A06NXXX | 0.35 |
| 10kg | SPM0010A06NXXX | 0.35 |
| 15kg | SPM0015A06NXXX | 0.35 |
| 20kg | SPM0020A06NXXX | 0.35 |
| 30kg | SPM0030A06NXXX | 0.35 |
| 50kg | SPM0050A06NXXX | 0.4 |
| 75kg | SPM0075A06NXXX | 0.4 |
| 100kg | SPM0100A06NXXX | 0.4 |



NOTE: dimensions are in mm.

Specifications

| | | | |
|---------------------------------------|-----------------|-------------------------------|---------------------|
| Signal Output at Capacity..... | <2±0.2 mV/V | Service Load..... | 100% Capacity |
| Linearity Error..... | < 0.017% FSO | Safe Load..... | 150% Capacity |
| Non-Repeatability..... | < 0.010% FSO | Ultimate Load..... | 300% Capacity |
| Combined Error..... | < 0.020% FSO | Input Resistance..... | 409Ω ± 6Ω |
| Off Centre Load Error..... | < 0.020% FSO | Output Resistance..... | 350Ω ± 6Ω |
| Creep/(30 mins.)..... | < 0.020% FSO | Insulation Resistance..... | > 5000 MΩ (@50 VDC) |
| Zero Balance..... | < 2.0% Capacity | Excitation Voltage(Rec)..... | 5~12V AC/DC |
| Temperature Effect on Span(/10C)..... | < 0.014% FSO | Excitation Voltage(Max.)..... | 18V AC/DC |
| Temperature Effect on Zero(/10C)..... | < 0.017% FSO | Cable..... | 3m long, 5.0 mm |
| Operating Temperature Range..... | <-35 ~ +65 C | | 6 core screened PVC |
| Compensated Temperature Range..... | <-10 ~ +40 C | Material..... | Aluminium Alloy |
| Storage Temperature Range..... | <-50 ~ 85 C | Sealing..... | IP65 |

Wiring Connections

| | | | | | |
|---------------------|-------|----------------|-------|-----------------|-------|
| Excitation +ve..... | Red | Sense +ve..... | Blue | Signal +ve..... | Green |
| Excitation -ve..... | Black | Sense -ve..... | Brown | Signal -ve..... | White |

R81030