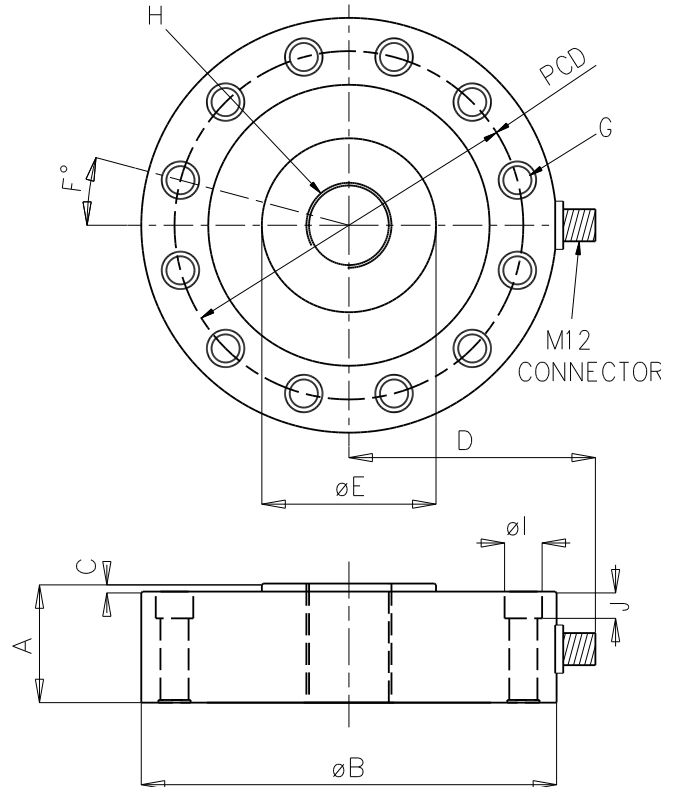


LPCH

UNIVERSAL TENSION/COMPRESSION

High accuracy alloy steel construction
 Ideal for materials testing, overhead and low profile weighing.
 Rugged with high overload capacity
 Standard mountings-replaces LPC and other market leaders
 Recessed holes for flush mounting
 Standard IP67 M12 sensor connector



Dimensions

Capacity	Order	A	B	C	D	E	F	G	H	ØI	J	Weight
1t	LPM1000T000XX1	35	105	3	65	33	22.5°	8 Holes Ø7.2 PCD 88.5	5/8"-18UNF	10.5	8.5	1.6
2.5t	LPM2500T000XX1	35	105	3	65	33	22.5°	8 Holes Ø7.2 PCD 88.5	5/8"-18UNF	10.5	8.5	1.6
5t	LPM5000T000XX1	35	105	3	65	33	22.5°	8 Holes Ø7.2 PCD 88.5	5/8"-18UNF	10.5	8.5	1.6
10t	LPM010TT000XX1	44.5	155	3	90	62	15°	12 Holes Ø10.5 PCD 130.2	1-1/4"-12UN	17	10	4.7
25t	LPM025TT000XX1	44.5	155	3	90	62	15°	12 Holes Ø10.5 PCD 130.2	1-1/4"-12UN	17	10	4.7
50t	LPM050TT000XX1	63.5	205	6.5	115	89	11.25°	16 Holes Ø13.5 PCD 165.1	1-3/4"-12UN	20	13	11.7
100t	LPM100TT000XX1	90	280	13	152	123	11.25°	16 Holes Ø17.5 PCD 228.6	2-3/4"-8UN	25	16	29.5

NOTE: dimensions are in mm/kg. LPCH supplied with straight mating connector without cable. Specifications with factory fitted base.
 Due to PT's policy of continuous development, specifications and products offered are subject to change without notice.

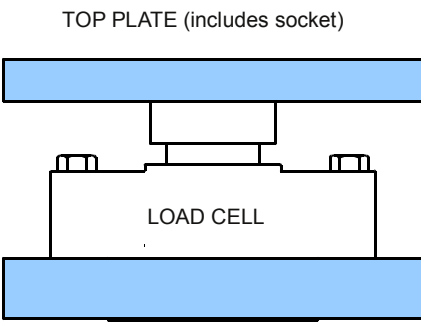
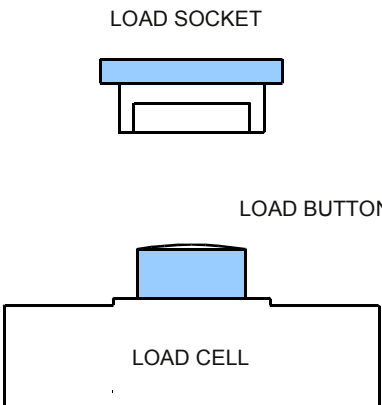
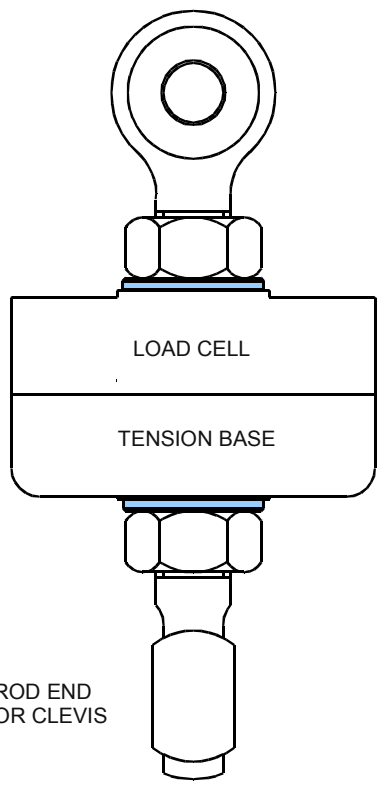
Specifications

Signal Output at Capacity.....	2±0.01 mV/V	Service Load.....	100% Capacity
Linearity Error.....	< 0.020% FSO	Safe Load.....	150% Capacity
Non-Repeatability.....	< 0.020% FSO	Safe Side Load.....	100% of axial load
Combined Error.....	< 0.030% FSO	Ultimate Load.....	300% Capacity
Hysteresis.....	< 0.020% FSO	Input Resistance.....	750Ω ± 5Ω
Creep/(30 mins.).....	< 0.020% FSO	Output Resistance.....	700Ω ± 3Ω
Zero Balance.....	< 2 % Capacity	Insulation Resistance.....	> 5000 MΩ (@50 VDC)
Temperature Effect on Span(/10C).....	< 0.02% FSO	Excitation Voltage(Rec).....	5~15 V AC/DC
Temperature Effect on Zero(/10C).....	< 0.02% FSO	Excitation Voltage(Max.).....	20 V AC/DC
Operating Temperature Range.....	-35 ~ 65 C	Connector.....	M12 Sensor type..
Compensated Temperature Range.....	-10 ~ 50 C	Material.....	Alloy steel, nickel plated
Storage Temperature Range.....	-50 ~ 85 C	Sealing.....	IP67
Excitation +ve.....	Pin 1	Signal +ve.....	Pin 4
Excitation -ve.....	Pin 2	Signal -ve.....	Pin 3

R160810

LPCH ACCESSORIES

PT offers a range of accessories for the LPCH series load cells

Complete Mount	Load Button and Load Socket	Rod Ends and Tension Base																																																								
 <p>TOP PLATE (includes socket)</p> <p>LOAD CELL</p> <p>BOTTOM PLATE</p> <table border="1"> <thead> <tr> <th>Capacity</th> <th>Mount</th> </tr> </thead> <tbody> <tr><td>1t</td><td>M-LPC-5</td></tr> <tr><td>5t</td><td>M-LPC-5</td></tr> <tr><td>10t</td><td>M-LPC-25</td></tr> <tr><td>25t</td><td>M-LPC-25</td></tr> <tr><td>50t</td><td>M-LPC-50</td></tr> <tr><td>100t</td><td>M-LPC-100</td></tr> </tbody> </table> <p>The Load Buttons and Load Sockets are nickel plated tool steel, the mount plates are painted mild steel.</p>	Capacity	Mount	1t	M-LPC-5	5t	M-LPC-5	10t	M-LPC-25	25t	M-LPC-25	50t	M-LPC-50	100t	M-LPC-100	 <p>LOAD SOCKET</p> <p>LOAD BUTTON</p> <p>LOAD CELL</p> <table border="1"> <thead> <tr> <th>Capacity</th> <th>Button</th> <th>Socket</th> </tr> </thead> <tbody> <tr><td>1t~2.5t</td><td>A-LB0.625</td><td>A-LS50</td></tr> <tr><td>5t</td><td>A-LB0.625</td><td>A-LS50</td></tr> <tr><td>10t</td><td>A-LB1.250</td><td>A-LS75</td></tr> <tr><td>25t</td><td>A-LB1.250</td><td>A-LS75</td></tr> <tr><td>50t</td><td>A-LB1.750</td><td>A-LS100</td></tr> <tr><td>100t</td><td>A-LB2.750</td><td>A-LS150</td></tr> </tbody> </table> <p>The Load Buttons and Load Sockets are nickel plated tool steel.</p>	Capacity	Button	Socket	1t~2.5t	A-LB0.625	A-LS50	5t	A-LB0.625	A-LS50	10t	A-LB1.250	A-LS75	25t	A-LB1.250	A-LS75	50t	A-LB1.750	A-LS100	100t	A-LB2.750	A-LS150	 <p>LOAD CELL</p> <p>TENSION BASE</p> <p>ROD END OR CLEVIS</p> <table border="1"> <thead> <tr> <th>Capacity</th> <th>Rod End</th> <th>Base</th> </tr> </thead> <tbody> <tr><td>1t~2.5t</td><td>A-RE0.625-2N</td><td>A-TB-5</td></tr> <tr><td>5t</td><td>A-RE0.625-5N</td><td>A-TB-5</td></tr> <tr><td>10t</td><td>A-RE1.250-10N</td><td>A-TB-25</td></tr> <tr><td>25t</td><td>A-RE1.250-25N</td><td>A-TB-25</td></tr> <tr><td>50t</td><td>A-RE1.750-N</td><td>A-TB-50</td></tr> <tr><td>100t</td><td>A-RE2.750-N</td><td>A-TB-100</td></tr> </tbody> </table> <p>Note: A-RE1.750-N and A-RE2.750-N are clevises. All items are high strength steel, Rod Ends and bolts are zinc/nickel plated and the Tension Base is nickel plated.</p>	Capacity	Rod End	Base	1t~2.5t	A-RE0.625-2N	A-TB-5	5t	A-RE0.625-5N	A-TB-5	10t	A-RE1.250-10N	A-TB-25	25t	A-RE1.250-25N	A-TB-25	50t	A-RE1.750-N	A-TB-50	100t	A-RE2.750-N	A-TB-100
Capacity	Mount																																																									
1t	M-LPC-5																																																									
5t	M-LPC-5																																																									
10t	M-LPC-25																																																									
25t	M-LPC-25																																																									
50t	M-LPC-50																																																									
100t	M-LPC-100																																																									
Capacity	Button	Socket																																																								
1t~2.5t	A-LB0.625	A-LS50																																																								
5t	A-LB0.625	A-LS50																																																								
10t	A-LB1.250	A-LS75																																																								
25t	A-LB1.250	A-LS75																																																								
50t	A-LB1.750	A-LS100																																																								
100t	A-LB2.750	A-LS150																																																								
Capacity	Rod End	Base																																																								
1t~2.5t	A-RE0.625-2N	A-TB-5																																																								
5t	A-RE0.625-5N	A-TB-5																																																								
10t	A-RE1.250-10N	A-TB-25																																																								
25t	A-RE1.250-25N	A-TB-25																																																								
50t	A-RE1.750-N	A-TB-50																																																								
100t	A-RE2.750-N	A-TB-100																																																								

The LPCH is fitted with an industry standard M12 sensor connector with IP67 sealing and is supplied with a straight mating connector. The connector simplifies installation and maintenance and a cable type and length to suit the requirements of the installation can be selected from the cable packs offered by PT. Six wire cables should be installed by connecting the Sense+ with the Excitation+ to terminal 1 and the Sense- with the Excitation- to terminal 2 inside the connector.

PT Cable Packs for the LPCH

Cable Length	5.5mm, 6core PE/PVC foil screened	6.5mm, 6core PE/PU foil screened	7.5mm, 6core PE/PU braid screened
10m	A-6C5.5-0010	A-6C6.5-0010	A-6C7.5-0010
50m	A-6C5.5-0050	A-6C6.5-0050	A-6C7.5-0050
100m	A-6C5.5-0100	A-6C6.5-0100	A-6C7.5-0100
	Standard cable with moisture resistant polyethelene wire insulation and PVC outer sheath.	Improved durability and moisture resistance with polyurethane (PU) outer sheath.	Maximum durability and moisture resistance with extra thick PU sheath and braid screen.