

Model FP2000

Configurable Pressure Transducer



DESCRIPTION

The FP2000 series is a configurable pressure transducer which allows the customer to select the configuration which best fits the needs of the application. Choose from multiple accuracies, outputs, pressure ports, electrical terminations, and pressure ranges.

The FP2000 is available with gage, absolute, barometric, or vacuum reference and, best of all, they delivery in two weeks or less.



FEATURES

- mV/V, 0 Vdc to 5 Vdc, 0 Vdc to 10 Vdc, 4 mA to 20 mA
- Gage, absolute, barometric, vacuum
- Differential (wet/wet, wet/dry)
- Intrinsically safe option⁵
- CE available⁶

FP2000 pressure sensors are custom built from stocked components, and most are shipped in 10 business days or less. Please see <http://sensing.honeywell.com/TMsensor-ship> for updated listings

Model FP2000

PERFORMANCE SPECIFICATIONS

Characteristic	Measure
Accuracy ¹	See accuracy table
Output (selectable)	mV/V (see accuracy table), 0 Vdc to 5 Vdc, 0 Vdc to 10 Vdc, or 4 mA to 20 mA (two wire)
Resolution	Infinite

ENVIRONMENTAL SPECIFICATIONS

Characteristic	Measure
Temperature, operating	-40 °C to 116 °C [-40 °F to 240 °F]
Temperature, compensated	4 °C to 60 °C [40 °F to 140 °F] ²
Temperature, error band ²	
0.10 % accuracy	±0.5 % full scale
0.25 % accuracy	±1.0 % full scale

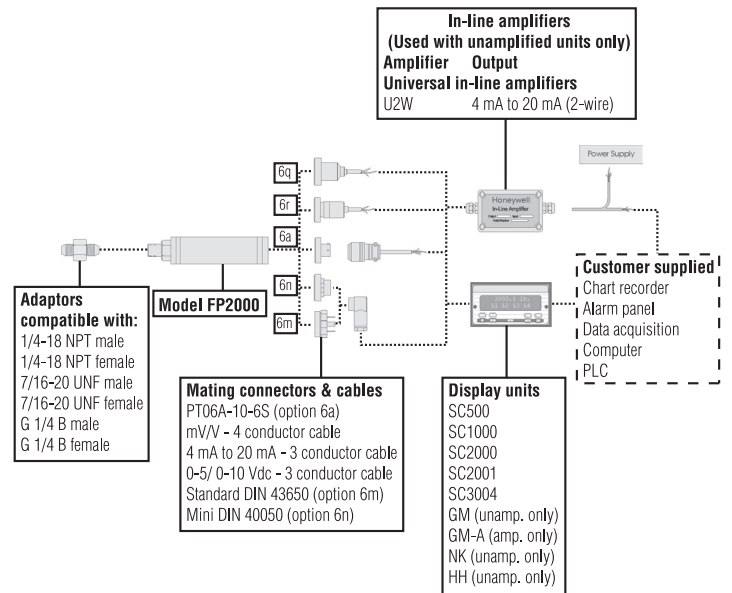
ELECTRICAL SPECIFICATIONS

Characteristic	Measure
Excitation (calibration)	
Amplified	
(4 mA to 20 mA; 0 Vdc to 5 Vdc)	9 Vdc to 28 Vdc
Amplified	
(0 Vdc to 10 Vdc)	15 Vdc to 28 Vdc
Unamplified (mV/V)	10 Vdc

MECHANICAL SPECIFICATIONS

Characteristic	Measure
Media ³	Gas, liquid
Overload - safe	
1000 psi and below	4X full scale or 3000 psi, whichever is less
1500 psi and above	4X full scale or 15000 psi, whichever is less
Negative direction (for differential)	4X full scale or 250 psi, whichever is less
Overload - burst	
1000 psi and below	3000 psi
1500 psi and above	15000 psi
Pressure port	200 % over capacity
Wetted parts material	Ha C276 & 316L stainless steel

TYPICAL SYSTEM DIAGRAM



Configurable Pressure Transducer

PRESSURE RANGES AND RANGE CODES

	psi	Range code	torr	Range code	mBar	Range code	kPa	Range code	Bar	Range code	in Hg	Range code	mm Hg	Range code	in H ₂ O	Range code
Gage/ Absolute	0.5*	AN	15**	HA	35**	JA	2**	KA	0.035**	MA	1**	UB	15**	VA	5**	WB
	1*	AP	50**	HB	70**	JB	7**	KB	0.1**	MB	2**	UD	50**	VB	10**	WA
	2*	AR	135**	HC	175**	JC	15**	KC	0.2	MC	5	UF	135	VC	20**	WC
	2.5*	AS	250	HD	350	JD	35	KD	0.5	MD	10	UA	250	VD	30**	WE
	5	AT	750	HE	700	JE	70	KE	1	ME	15	UC	750	VE	50**	WG
	10	AV	1500	HF	750	JF	100	KF	2	MF	20	UE	1500	VF	100	WI
	15	BJ			1000	JG	200	KG	3.5	NA	30	UG			120	WK
	25	BL			3500	JH	300	KH	5	MG	50	UI			150	WM
	30	BM			7000	JI	700	KJ	7	NB	60	UK			200	WP
	50	BN			10000	JK	1000	KL	10	MH	80	UM			300	WR
	75	BP					1500	KM	20	MI	100	UP			500	WS
	100	BR					1700	KN	30	MJ	200	UH				
	150	CJ					2000	KP	35	NC	300	UJ				
	200	CL					3000	KQ	50	MK	500	UL				
	250	CN					5000	KR	70	ND	1000	UN				
	300	CP					7000	KS	100	ML	0-32	US				
	400	CQ					10000	KT	135	NE	16-32	UQ				
	500	CR					15000	KU	350	NG	26-32	UR				
	600	CS					20000	KV	500	MM						
	750	CT					35000	KW	700	NH						
	1000	CV					50000	KY								
	1500	DJ					70000	KZ								
	2000	DL														
	2500	DM														
	3000	DN														
	5000	DR														
6000	DS															
7500	DT															
10000	DV															
Barometric (Order code FPB)											0-30	UG				
											16-32	UQ				
											26-32	UR				
Vacuum (Order code FPV)	1	AP	50	HB	35	JA	7	KB	0.035	MA	10	UA	15	VA	10	WA
	5	AT	135	HC	70	JB	15	KC	0.1	MB	20	UE	50	VB	20	WC
	10	AV	250	HD	175	JC	35	KD	0.2	MC	30	UG	135	VC	30	WE
	15	BJ	750	HE	350	JD	100	KF	0.5	MD			250	VD	50	WG
					700	JE			1	ME			750	VE	100	WI
					750	JF										
					1000	JG										
Differential (Order codes FDD, FDW)	0.5	AN	15	HA	35	JA	2	KA	0.035	MA	1	UB	15	VA	5	WB
	1	AP	50	HB	70	JB	7	KB	0.1	MB	2	UD	50	VB	10	WA
	2	AR	135	HC	175	JC	15	KC	0.2	MC	5	UF	135	VC	20	WC
	2.5	AS	250	HD	350	JD	35	KD	0.5	MD	10	UA	250	VD	30	WE
	5	AT	750	HE	700	JE	70	KE	1	ME	15	UC	750	VE	50	WG
	10	AV	1500	HF	750	JF	100	KF	2	MF	20	UE	1500	VF	100	WI
	15	BJ			1000	JG	200	KG	3.5	NA	30	UG			120	WK
	25	BL			3500	JH	300	KH	5	MG	50	UI			150	WM
	30	BM			7000	JI	700	KJ	7	NB	60	UK			200	WP
	50	BN			10000	JK	1000	KL	10	MH	80	UM			300	WR
	75	BP					1500	KM	20	MI	100	UP			500	WS
	100	BR					1700	KN	30	MJ	200	UH				
	150	CJ					2000	KP	35	NC	300	UJ				
	200	CL					3000	KQ	50	MK	500	UL				
	250	CN					5000	KR	70	ND	1000	UN				
	300	CP					7000	KS			0-32	US				
	400	CQ					10000	KT			16-32	UQ				
	500	CR					15000	KU			26-32	UR				
	600	CS					20000	KV								
	750	CT					35000	KW								
	1000	CV					50000	KY								

* 0.5 psi to 2.5 psi ranges are not available for absolute pressure

** Not available in absolute

Model FP2000

INTERNAL AMPLIFIERS

Amplifier specifications	Unamplified output: Option 2u	Voltage output: Option 2d	Voltage output: Option 2g	Current two-wire: Option 2p
Output signal	See accuracy table	0 Vdc to 5 Vdc	0 Vdc to 10 Vdc	4 mA to 20 mA
Input power (voltage)	10 Vdc	9 Vdc to 28 Vdc	15 Vdc to 28 Vdc	9 Vdc to 32 Vdc
Input power (current)	2 mA @ 10 Vdc	10 mA	15 mA	4 mA to 24 mA
Frequency response	Natural frequency	300 Hz	300 Hz	300 Hz
Power supply rejection	N/A	60 dB	60 dB	60 dB
Operating temperature	-40 °C to 116 °C [-40 °F to 240 °F]	-29 °C to 85 °C [-20 °F to 185 °F]	-29 °C to 85 °C [-20 °F to 185 °F]	-29 °C to 85 °C [-20 °F to 185 °F]
Reverse voltage protection	N/A	Yes	Yes	Yes
Short circuit protection	N/A	Momentary	Momentary	Yes

Amplifier specifications	Voltage output: Option 2e	Voltage output: Option 2f	Intrinsically safe amp: Option 2n (2N)***	Current two-wire: Option 2y
Output signal	0 Vdc to 5 Vdc	0 Vdc to 10 Vdc	4 mA to 20 mA	4 mA to 20 mA
Input power (voltage)	9 Vdc to 28 Vdc	15 Vdc to 28 Vdc	9 Vdc to 28 Vdc	9 Vdc to 32 Vdc
Input power (current)	10 mA	15 mA	4 mA to 24 mA	4 mA to 24 mA
Frequency response	2000 Hz	2000 Hz	2000 Hz	2000 Hz
Power supply rejection	60 dB	60 dB	60 dB	60 dB
Operating temperature	-29 °C to 85 °C [-20 °F to 185 °F]	-29 °C to 85 °C [-20 °F to 185 °F]	-29 °C to 85 °C [-20 °F to 185 °F]	-29 °C to 85 °C [-20 °F to 185 °F]
Reverse voltage protection	Yes	Yes	Yes	Yes
Short circuit protection	Momentary	Momentary	Yes	Yes

ACCURACY

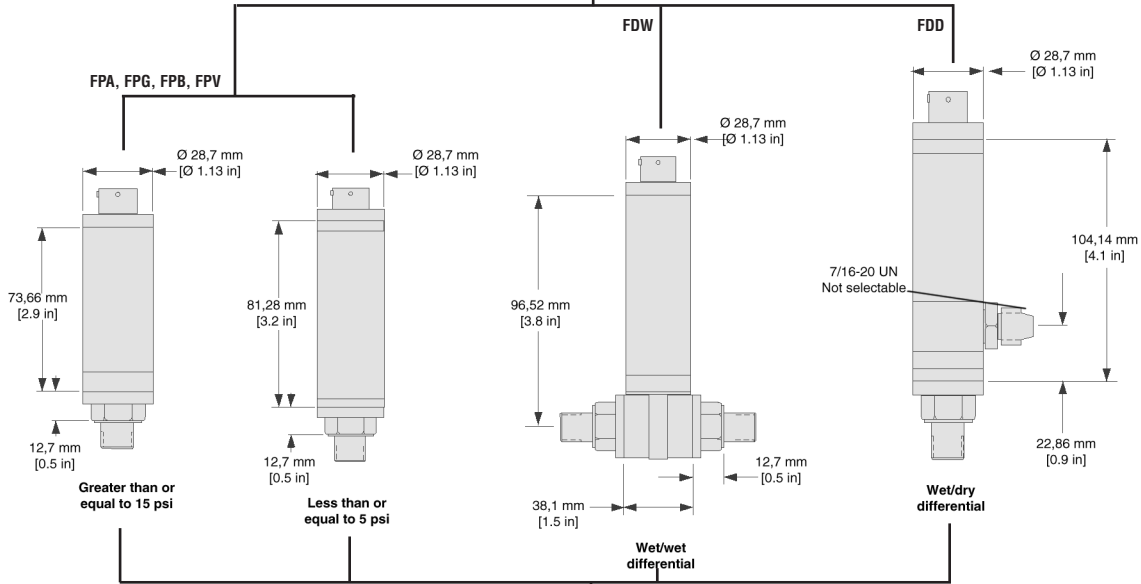
Non-amplified output @ 10 Vdc excitation	Gage and absolute	Vacuum	Barometric	Differential
0.10 % accuracy	50 mV 4	25 mV	40 mV	50 mV 4
0.25 % accuracy	100 mV	50 mV	80 mV	100 mV

Configurable Pressure Transducer

MOUNTING DIMENSIONS

Electrical termination

Code 6a: 6-pin, vented, Bendix style	Code 6m: 4-pin, vented, standard DIN (43650)	Code 6n: 4-pin, vented, mini DIN	Code 6q: 4-conductor, vented, integral cable, 1,52 m [5 ft]	Code 6r: 4-conductor, vented, integral cable, conduit fitting 1,52 m [5 ft]



Pressure ports

	Code 5a 1/4-18 NPT female	Code 5b 1/4-18 NPT male	Code 5c 7/16-20 UNF female	Code 5d 7/16-20 UNF male	Code 5f G 1/4 B female	Code 5g G 1/4 B male
Less than 1000 psi						
Greater than 1500 psi						
	Code 5h 1/8-27 NPT female	Code 5i 1/8-27 NPT male	Code 5p M12-1.5 male	Code 5q M12-1.5 female	Code 5r 9/16-18 SAE male	Code 5s 9/16-18 SAE female
Less than 1000 psi						
Greater than 1500 psi						

Model FP2000

WIRING CODES

	Unamplified output: Option 2u	Voltage output: Option 2d/2e	Voltage output: Option 2g/2f	Current two-wire: Option 2p/2y	Intrinsically safe amp: Option 2n (2N)***
Bendix PTIH-10-6P (Option 6a)					
No shunt cal	A (+) Excitation B (+) Excitation C (-) Excitation D (-) Excitation E (-) Output F (+) Output	A (+) Supply B (-) Supply return C (-) Output 0 Vdc to 5 Vdc D (+) Output E No connection F No connection	A (+) Supply B (-) Supply return C (-) Output 0 Vdc to 10 Vdc D (+) Output Vdc E No connection F No connection	A (+) Supply B No connection C No connection D (+) Output 4 mA to 20 mA E No connection F No connection	A (+) Supply B No connection C No connection D (+) Output 4 mA to 20 mA E Case ground F No connection
With shunt cal (option 3d)	A (+) Excitation B (-) Excitation C (+) Output D (-) Output E No connection F Shunt Cal	A (+) Supply B (-) Supply return C (-) Output 0 Vdc to 5 Vdc D (+) Output E No connection F Shunt cal	A (+) Supply B (-) Supply return C (-) Output 0 Vdc to 10 Vdc D (+) Output E No connection F Shunt cal	A (+) Supply B No connection C No connection D (+) Output 4 mA to 20 mA E No connection F Shunt cal	A (+) Supply B No connection C No connection D (+) Output 4 mA to 20 mA E No connection F Shunt cal
Std. DIN 43650 (Option 6m)					
No shunt cal	1 (+) Excitation 2 (+) Output 3 (-) Output 4 (-) Excitation	1 (+) Supply 2 (+) Output 3 Supply/ output com. GND No connect. to case	1 (+) Supply 2 (+) Output 3 Supply/ output com. GND No connect. to case	1 (+) Supply 2 (+) Output 4 mA to 20 mA 3 No connection GND No connection	1 (+) Supply 2 (+) Output 3 Case ground GND No connection
With shunt cal (option 3d)	Not Applicable	1 (+) Supply 2 (+) Output 3 Supply/output com. GND Shunt cal	1 (+) Supply 2 (+) Output 3 Supply/output com. GND Shunt cal	1 (+) Supply 2 (+) Output 4 mA to 20 mA 3 No connection GND Shunt cal	1 (+) Supply 2 (+) Output 3 Case ground GND Shunt cal
Mini DIN 40050 (Option 6n)					
No shunt cal	1 (+) Excitation 2 (+) Output 3 (-) Output 4 (-) Excitation	1 (+) Supply 2 (+) Output 3 Supply/output com. GND No connect. to case	1 (+) Supply 2 (+) Output 3 Supply/output com. GND No connect. to case	1 (+) Supply 2 (+) Output 4 mA to 20 mA 3 No connection GND No connection to case	1 (+) Supply 2 (+) Output 3 Case ground GND No connection
With shunt cal (option 3d)	Not Applicable	1 (+) Supply 2 (+) Output 3 Supply/output com. GND Shunt cal	1 (+) Supply 2 (+) Output 3 Supply/output com. GND Shunt cal	1 (+) Supply 2 (+) Output 4 mA to 20 mA 3 No connection GND Shunt cal	1 (+) Supply 2 (+) Output 3 Case ground GND Shunt cal
1.83 m [5 ft] integral cable (Option 6q)					
No shunt cal	R (+) Excitation Bl (-) Excitation G (-) Output W (+) Output	R (+) Supply Bl (-) Supply return G (-) Output W (+) Output 0 Vdc to 5 Vdc	R (+) Supply Bl (-) Supply return G (-) Output W (+) Output 0 Vdc to 10 Vdc	R (+) Supply Bl (+) Output 4 mA to 20 mA	R (+) Supply Bl (+) Output 4 mA to 20 mA W Case ground
With shunt cal (option 3d)	Not Applicable	R (+) Supply Bl (-) Supply return G Shunt cal W (+) Output 0 Vdc to 5 Vdc	R (+) Supply Bl (-) Supply return G Shunt cal W (+) Output 0 Vdc to 10 Vdc	R (+) Supply Bl (+) Output 4 mA to 20 mA G Shunt cal	R (+) Supply Bl (+) Output 4 mA to 20 mA W Case ground G Shunt cal
Conduit fitting (Option 6r)					
No shunt cal	R (+) Excitation Bl (-) Excitation G (-) Output W (+) Output	R (+) Supply Bl (-) Supply return G (-) Output W (+) Output 0 Vdc to 5 Vdc	R (+) Supply Bl (-) Supply return G (-) Output W (+) Output 0 Vdc to 10 Vdc	R (+) Supply Bl (+) Output 4 mA to 20 mA	R (+) Supply Bl (+) Output 4 mA to 20 mA W Case ground
With shunt cal (option 3d)	Not Applicable	R (+) Supply Bl (-) Supply return G Shunt cal W (+) Output 0 Vdc to 5 Vdc	R (+) Supply Bl (-) Supply return G Shunt cal W (+) Output 0 Vdc to 10 Vdc	R (+) Supply Bl (+) Output 4 mA to 20 mA G Shunt cal	R (+) Supply Bl (+) Output 4 mA to 20 mA W Case ground G Shunt cal

Note: For wiring codes, R=red; Bl = black; W = white; G = green. Color specifies cable and letter or number specifies connection

*** See Honeywell's Web site for most up-to-date information regarding Intrinsically Safe approvals ref. #008-0547-00.

Configurable Pressure Transducer

How to order

The **FP2000 Order Code** is an easy way for you to order exactly what you want the factory to build. Simply make one selection in each of the six required categories. Choose adders and accessories only if you require them. By visiting our Web site at www.honeywell.com/sensing you can view complete technical specifications for the FP2000, or click to our on-line shopping site and actually place your order.

Step 1	
Transducer type	
<input type="checkbox"/> Pressure - gage	Type Code FPG
<input type="checkbox"/> Pressure - absolute	FPA
<input type="checkbox"/> Differential - wet/wet	FDW
<input type="checkbox"/> Pressure - barometric	FPB
<input type="checkbox"/> Differential - wet/dry	FDD
<input type="checkbox"/> Pressure - vacuum	FPV
Unit type	
<input type="checkbox"/> psi	<input type="checkbox"/> bar
<input type="checkbox"/> torr	<input type="checkbox"/> in Hg
<input type="checkbox"/> mBar	<input type="checkbox"/> mm Hg
<input type="checkbox"/> kPa	<input type="checkbox"/> in H ₂ O

Step 2	
Pressure range	
Gage, absolute, and differential	
	Range code
<input type="checkbox"/> 0.5 psi	AN
<input type="checkbox"/> 1 psi	AP
<input type="checkbox"/> 2 psi	AR
<input type="checkbox"/> 2.5 psi	AS
<input type="checkbox"/> 5 psi	AT
<input type="checkbox"/> 10 psi	AV
<input type="checkbox"/> 15 psi	BJ
<input type="checkbox"/> 25 psi	BL
<input type="checkbox"/> 30 psi	BM
<input type="checkbox"/> 50 psi	BN
<input type="checkbox"/> 75 psi	BP
<input type="checkbox"/> 100 psi	BR
<input type="checkbox"/> 150 psi	CJ
<input type="checkbox"/> 200 psi	CL
<input type="checkbox"/> 250 psi	CN
<input type="checkbox"/> 300 psi	CP
<input type="checkbox"/> 400 psi	CQ
<input type="checkbox"/> 500 psi	CR
<input type="checkbox"/> 600 psi	CS
<input type="checkbox"/> 750 psi	CT
<input type="checkbox"/> 1000 psi	CV
<input type="checkbox"/> 1500 psi	DJ
<input type="checkbox"/> 2000 psi	DL
<input type="checkbox"/> 2500 psi	DM
<input type="checkbox"/> 3000 psi	DN
<input type="checkbox"/> 5000 psi	DR
<input type="checkbox"/> 6000 psi	DS
<input type="checkbox"/> 7500 psi	DT
<input type="checkbox"/> 10000 psi	DV
Barometric	
<input type="checkbox"/> 16-32 in Hga	UQ
<input type="checkbox"/> 26-32 in Hga	UR
<input type="checkbox"/> 0-30 in Hga	UG
Vacuum	
<input type="checkbox"/> 1 psi	AP
<input type="checkbox"/> 5 psi	AT
<input type="checkbox"/> 10 psi	AV
<input type="checkbox"/> 15 psi	BJ
Accuracy	
	Accuracy code
<input type="checkbox"/> 0.10 %	1
<input type="checkbox"/> 0.25 %	2

Step 3	
Output	
	Basic output code
<input type="checkbox"/> mV/V	2u
<input type="checkbox"/> 5 Vdc	2d
<input type="checkbox"/> 10 Vdc	2g
<input type="checkbox"/> 4 mA to 20 mA	2p
	If adding 9d or 9f (<5000 psi)
	If adding 1y, 3d, 9e or 14c
	Port code
<input type="checkbox"/> 1/4-18 NPT female	5a
<input type="checkbox"/> 1/4-18 NPT male	5b
<input type="checkbox"/> 7/16-20 UNF female	5c
<input type="checkbox"/> 7/16-20 UNF male	5d
<input type="checkbox"/> G 1/4 B female	5f
<input type="checkbox"/> G 1/4 B male	5g
<input type="checkbox"/> 1/8-27 NPT female	5h
<input type="checkbox"/> 1/8-27 NPT male	5i
<input type="checkbox"/> M12 x 1.5 male	5p
<input type="checkbox"/> M12 x 1.5 female	5q
<input type="checkbox"/> 9/16-18 UNF SAE male	5r
<input type="checkbox"/> 9/16-18 UNF SAE female	5s
Electrical connector	
	Connector code
<input type="checkbox"/> Bendix PTIH-10-6P	6a
<input type="checkbox"/> DIN 43650	6m
<input type="checkbox"/> Mini DIN (40050)	6n
<input type="checkbox"/> Integral polyurethane 5 ft cable	6q
<input type="checkbox"/> 1/2 x 14 NPT conduit 5 ft cable exit	6r

Step 4	
Adders	
	Adder code
<input type="checkbox"/> Enhanced thermals	1y
Gage: 0 °F to 180 °F	
Absolute: 0 °F to 180 °F	
Differential: 0 °F to 180 °F	
Barometric: 30 °F to 170 °F	
Vacuum: 10 °F to 170 °F	
<input type="checkbox"/> Shunt cal	3d
<input type="checkbox"/> IS rating	9d
<input type="checkbox"/> CE rating	9e
<input type="checkbox"/> IS and CE rating	9f
<input type="checkbox"/> Zero and span adjustments	14c
<input type="checkbox"/> mV/V	2u
<input type="checkbox"/> 5 Vdc	2e
<input type="checkbox"/> 10 Vdc	2f
<input type="checkbox"/> 4 mA to 20 mA (CE only)	2y
<input type="checkbox"/> 4 mA to 20 mA (IS only)	2n (2N)
<input type="checkbox"/> 4 mA to 20 mA (IS and CE)	2n (2N)
NOTE: If you choose any adder output from step 4, you must revise your output code selection using this output code chart. IS outputs available only on ranges up to 5000 psi.	
Accessories	
Mating connectors only	
	Acc. code
<input type="checkbox"/> Mini DIN	AA161
<input type="checkbox"/> Bendix	AA111
Mating conn. with 15 ft. cable for Bendix connector (6A)	
	Without shunt
	With shunt (3d)
<input type="checkbox"/> mV/V	AA113
<input type="checkbox"/> 4 mA to 20 mA	AA116
<input type="checkbox"/> 0 to 5/0 to 10 Vdc	AA117

Step 5	
Example order code	FDW 1 CN 2y 5b 6a 1y AA116
Selection	Description
Transducer type	Differential wet/wet
Accuracy	0.10 %
Pressure range	250 psi
Output	4 mA to 20 mA
Pressure port	1/4-18 NPT male
Electrical output connections	Bendix PTIH-10-6P
Adders	Enhanced temperature range
Accessories	Mating connector with cable
	Code
	FDW
	1
	CN
	2y
	5b
	6a
	1y
	AA116
There must be a code in each of the six basic code boxes. If there are no adders or accessories chosen, leave the boxes blank.	

Description	Basic code					Adder code (see step 4)				
	Type	Accuracy	Range	Output	Pressure	Elect. conn.	Extended	Shunt cal.	IS/CE rated	Pots
Order code										
Accessory code										

Zero and span adjustments are located on the side. See drawing for details. No zero and span adjustments are available on mV/V output option.

Model FP2000

Configurable Pressure Transducer

NOTES

1. Accuracies stated are expected for best-fit straight line for all errors, including linearity, hysteresis, and non-repeatability through zero.
2. For low pressure ranges, temperature effects may vary.
3. The wet/wet differential pressure transducer has two separate, welded Hastelloy diaphragms. In wet/dry unit, the wet port (high port) has all-welded stainless steel and Hastelloy construction. The dry port (low port) has no isolation diaphragm.
4. For low gage and differential pressure ranges at 0.10 % accuracy, non-amplified output @ 10 Vdc excitation = 100 mV.
5. Range up to and include 5000 psi.
6. Not available with 6m.

Warranty. Honeywell warrants goods of its manufacture as being free of defective materials and faulty workmanship. Honeywell's standard product warranty applies unless agreed to otherwise by Honeywell in writing; please refer to your order acknowledgement or consult your local sales office for specific warranty details. If warranted goods are returned to Honeywell during the period of coverage, Honeywell will repair or replace, at its option, without charge those items it finds defective. **The foregoing is buyer's sole remedy and is in lieu of all warranties, expressed or implied, including those of merchantability and fitness for a particular purpose. In no event shall Honeywell be liable for consequential, special, or indirect damages.**

While we provide application assistance personally, through our literature and the Honeywell web site, it is up to the customer to determine the suitability of the product in the application.

Specifications may change without notice. The information we supply is believed to be accurate and reliable as of this printing. However, we assume no responsibility for its use.

For more information about Sensing and Control products, visit www.honeywell.com/sensing or call +1-815-235-6847

Email inquiries to info.sc@honeywell.com

WARNING **PERSONAL INJURY**

- DO NOT USE these products as safety or emergency stop devices or in any other application where failure of the product could result in personal injury.

Failure to comply with these instructions could result in death or serious injury.

WARNING **MISUSE OF DOCUMENTATION**

- The information presented in this catalogue is for reference only. DO NOT USE this document as product installation information.
- Complete installation, operation and maintenance information is provided in the instructions supplied with each product.

Failure to comply with these instructions could result in death or serious injury.

Sensing and Control
Automation and Control Solutions
Honeywell
1985 Douglas Drive North
Golden Valley, MN 55422 USA
+1-815-235-6847
www.honeywell.com/sensing

008608-1-EN IL50 GLO
May 2008
Copyright © 2008 Honeywell International Inc. All rights reserved.

Honeywell