

▶ CI-16 SSW

▶ **DOUBLE-ENDED SHEAR BEAM**
▶ **STAINLESS STEEL**
Welded-Seal, IP67

Coti, Inc. • 122 Export Circle • Huntsville, Alabama 35806 • Toll Free: 1-888-268-4462 • Fax: 256-859-5024 • www.cotiinc.com



CI-16 SSW ORDER INFORMATION DISCOUNT C SUGGESTED LIST PRICE

1K, 1.5K, 2K, 2.5K, 3K, 5K
10K, 15K, 20K, 25K, 35K
50K
* 75K
* 75,000 lb capacity has square center

INTERCHANGEABLE PRODUCTS

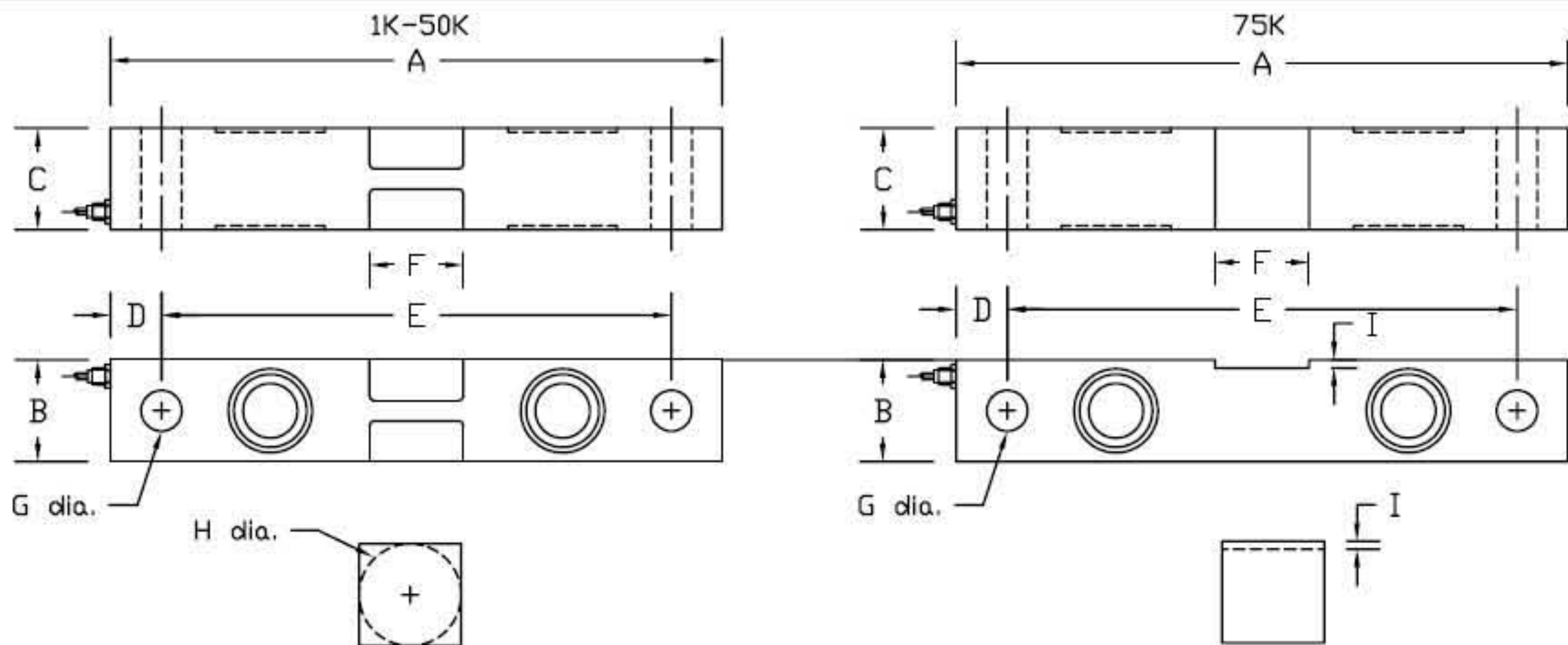
Rice Lake Weighing Systems..... RL75016 SSW
Vishay Sensortronics..... 65016 W
Revere..... 9203
Celtron..... DSR-HHS

WEIGH MODULES

Coti

CI16M

Main Dimensions and Accessories



RATED CAPACITY	DIMENSIONS										
	A	B	C	D	E	F	G	H	I		
1K-5K	7.50	1.25	1.25	0.62	6.25	1.15	0.50	1.25	-		
10K-25K	8.75	1.94	1.44	0.62	7.50	2.00	0.81	2.00	-		
35K	8.75	2.50	1.50	0.62	7.50	2.00	0.81	2.50	-		
50K	13.50	2.94	2.44	1.00	11.50	3.25	1.31	3.00	-		
75K	13.50	2.94	2.44	1.00	11.50	3.25	1.31	-	0.17		

▶ SPECIFICATIONS ◀

Rated Output (mV/V)	3.00	Bridge Resistance	700
Nonlinearity	+/- 0.02% FS	Insulation Resistance	5000 Megohms
Hysteresis	+/- 0.02% FS	Excitation Voltage	10V AC/DC (15V Max)
Repeatability	+/- 0.01% FS	Compensated Temperature Range	-10°C - +50°C
Creep (30 minutes)	+/- 0.02% FS	Operating Temperature Range	-20°C - +60°C
Zero Balance	+/- 1.00% FS	Safe Overload	150% FS
Temperature Effect on Zero	+/- 0.02% FS/10° C	Cable Length: 1K - 5K 50' Standard	10K - 75K 50' Braided Shield
Temperature Effect on Output	+/- 0.02% FS/10° C	Seal Type	Welded-Seal, IP67
Cable Color Code	Input Green +Excitation Black -Excitation	Output White +Signal Red -Signal	