

## 3200 STANDARD STAINLESS STEEL LOAD CELL (US & METRIC)

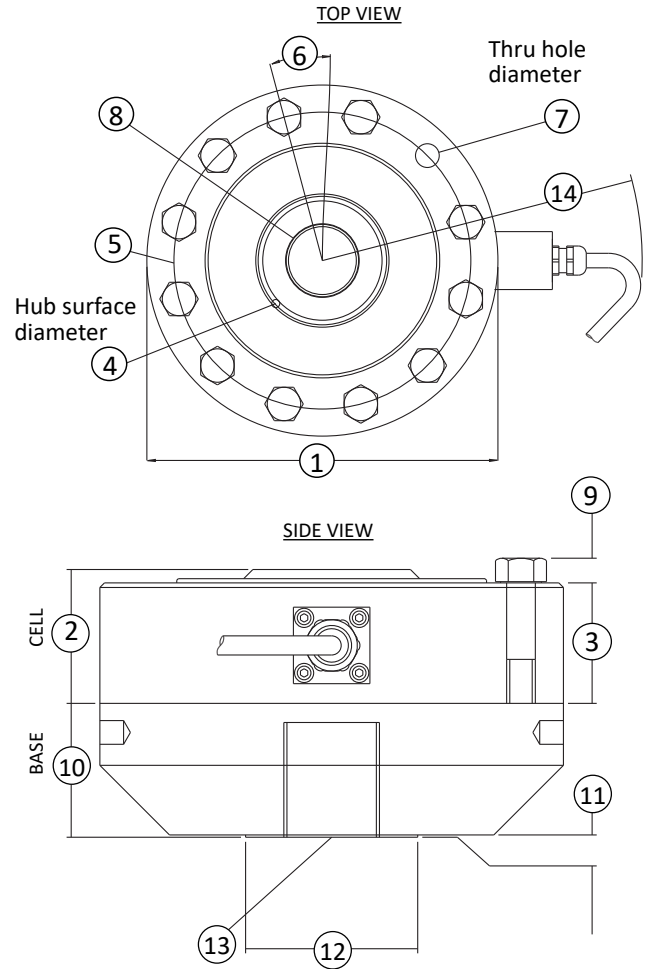
### FEATURES & BENEFITS

- Capacities from 2.5K to 100K lbf (11.1 to 445 kN)
- Proprietary Interface temperature compensated strain gages
- Hermetically sealed cell
- Performance to 0.05%
- Compact size
- High 4 mV/V output
- Eccentric load compensated
- 0.0008%/°F temp. effect on output
- Low deflection
- Shunt calibration
- Barometric compensation

### STANDARD CONFIGURATION



**Model 3220BFG-50K (Shown)**



### DIMENSIONS

See Drawing	MODEL					
	3210		3220		3232	
	CAPACITY					
	US (lbf)	Metric (kN)	US (lbf)	Metric (kN)	US (lbf)	Metric (kN)
	2.5K, 5K, 10K	11.1, 22.2, 44.5	25K, 50K	111, 222	100K	445
	in	mm	in	mm	in	mm
(1)	4.13	104.9	6.06	153.9	8.00	203.2
(2)	1.38	35.1	1.75	44.5	2.50	63.5
(3)	1.20	30.5	1.58	40.0	2.20	55.9
(4)	0.90	22.9	1.97	50.0	3.14	79.8
(5)	3.50	88.9	5.13	130.3	6.50	165.1
(6)	22.5°	22.5°	15.0°	15.0°	11.25°	11.25°
(7)	0.28	7.10	0.41	10.4	0.53	13.5
	8 places		12 places		16 places	
(8)	⅝-18 UNF-3B		1 ¼-12 UNF-3B		1 ¼-12 UNF-3B	
	1.12 deep	28.45 deep	1.40 deep	35.56 deep	2.15 deep	54.61 deep
(9)	0.20	5.10	0.30	7.60	0.31	7.90
(10)	1.13	28.6	1.75	44.5	2.00	50.8
(11)	0.03	0.80	0.03	0.80	0.03	0.80
(12)	1.25	31.8	2.25	57.2	3.00	76.2
(13)	⅝-18 UNF-3B		1 ¼-12 UNF-3B		1 ¼-12 UNF-3B	
	↓ 0.87	↓ 22.1	↓ 1.40	↓ 35.56	↓ 1.75	↓ 44.45
(14)	4.80	121.9	5.52	140.2	5.30	134.6

3200SS v2.0 04-20-2018

## 3200 STANDARD STAINLESS STEEL LOAD CELL (US & METRIC)

### SPECIFICATIONS

PARAMETERS		MODEL				
		3210	3210	3220	3220	3232
		CAPACITY				
Measuring Range	US Models (lbf)	2.5K, 5K	10K	25K	50K	100K
	Metric Models (kN)	11.1, 22.2	44.5	111	222	445
ACCURACY – (MAX ERROR)						
Static Error Band – %FS		±0.05	±0.05	±0.05	±0.05	±0.06
Nonlinearity – %FS		±0.05	±0.05	±0.05	±0.05	±0.05
Hysteresis – %FS		±0.06	±0.06	±0.06	±0.06	±0.06
Nonrepeatability – %RO		±0.01	±0.01	±0.01	±0.01	±0.01
Creep, 20 min – %		±0.025	±0.025	±0.025	±0.025	±0.025
Side Load Sensitivity – %		±0.25	±0.25	±0.25	±0.25	±0.25
Eccentric Load Sensitivity – % / in		±0.25	±0.25	±0.25	±0.25	±0.25
TEMPERATURE						
Compensated Range		°F	+15 to +115	+15 to +115	+15 to +115	+15 to +115
		°C	-10 to +45	-10 to +45	-10 to +45	-10 to +45
Operating Range		°F	-65 to +200	-65 to +200	-65 to +200	-65 to +200
		°C	-55 to +90	-55 to +90	-55 to +90	-55 to +90
Effect on Zero – %RO / °F MAX		±0.0008	±0.0008	±0.0008	±0.0008	±0.0008
Effect on Output – %RO / °F MAX		±0.0008	±0.0008	±0.0008	±0.0008	±0.0008
ELECTRICAL						
Rated Output – mV/V (Nominal)		2.0 / 4.0	4.0	4.0	4.0	4.0
Excitation Voltage – VDC MAX		20	20	20	20	20
Bridge Resistance – Ohm (Nominal)		350	350	350	350	350
Zero Balance – %RO		±1.0	±1.0	±1.0	±1.0	±1.0
Insulation Resistance – Megohm		5000	5000	5000	5000	5000
MECHANICAL						
Safe Overload – %CAP		±150	±150	±150	±150	±150
Deflection @ RO		in	0.002	0.002	0.002	0.003
		mm	0.05	0.05	0.05	0.05
Optional Base – P/N		B302	B302	B303	B303	B312
Natural Frequency – kHz		6.6	9.4	6.5	7.0	5.8
Weight		lbs	3.3	3.3	9.5	26
		kg	1.5	1.5	4.3	11.8
Calibration		T & C				
Material		Stainless Steel				

### OPTIONS

- Base (Recommended)
- Standardized Output
- Transducer Electronic Data Sheet (TEDS)
- Custom Calibration
- Multiple Bridge
- Special Threads
- Special Temperature Range
- Cable Length
- Add Connector to Cable

### CONNECTOR OPTIONS

- Integral Cable (20 ft or 6 m)

### ACCESSORIES

- Instrumentation
- Loading Hardware

## 3200 STANDARD STAINLESS STEEL LOAD CELL (US & METRIC)

INTEGRAL 20 FT. CABLE CONNECTOR

BASE



Model 3220XXX



Model B32XX