

Model 2816 Axial Torsion Load Cell

- Measures load and torque simultaneously
- Minimal crosstalk
- Extraneous load resistance

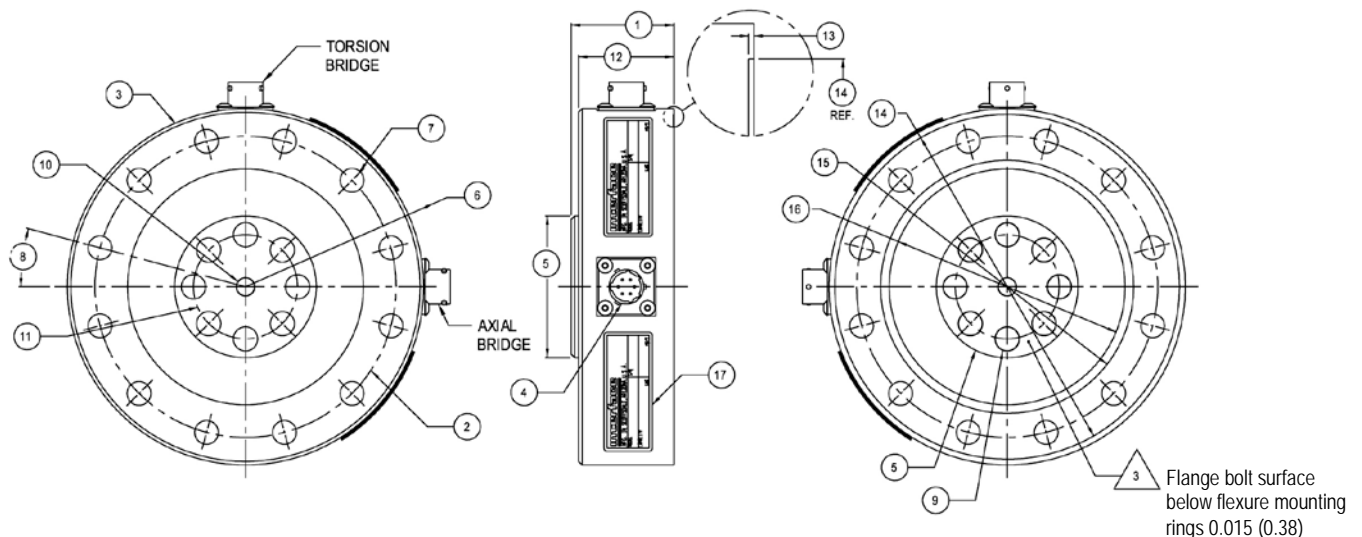


DIMENSIONS

See Drawing	CAPACITY	
	(lbf) / (inch-lb)	(N) / (Nm)
	3.3K/2K, 5K/3K 10K/6K, 15K/7.5K	16K/220, 25K/340 45K/680, 63K/900
	inch	mm
(1)	1.75	44.4
(2)	5.12	130.18
(3)	6.06	153.9
(4)	PT02E-10-6P	
(5)	2.41	61.2
(6)	3.55	90.2
(7)	0.41	10.3
(8)	15°	
(9)	0.41 (10.5) thru, C'Sink Ø 0.46 (11.7)	
(10)	Ø 0.31 (7.8) thru, C'Bore Ø 0.3155-3166 (8.014-8.042) ▽ 0.39 (10.0) This side only	
(11)	1.772	45.00
(12)	1.62	41.3
(13)	0.015	0.38
(14)	Ø 5.86	148.8
(15)	Ø 4.30	109.2
(16)	Ø 4.01	101.9
(17)	Label	

SPECIFICATIONS

ACCURACY - (MAX ERROR)	Axial Bridge A	Axial Bridge B
Nonlinearity - %FS	±0.05	±0.07
Hysteresis - %FS	±0.05	±0.05
Non-Repeatability - %RO	±0.02	±0.05
Creep, in 20 min - %	±0.025	±0.025
TEMPERATURE		
Compensated Range - °F	15 to 115	15 to 115
Compensated Range - °C	-10 to 45	-10 to 45
Operating Range - °F	-65 to 200	-65 to 200
Operating Range - °C	-55 to 90	-55 to 90
Effect on Zero - % RO/°F - MAX	±0.0015	±0.0015
Effect on Zero - % RO/°C - MAX	±0.0027	±0.0027
Effect on Output - %/°F - MAX	±0.0008	±0.0008
Effect on Output - %/°C - MAX	±0.0015	±0.0015
ELECTRICAL		
Rated Output-mV/V	+2.0 ±0.3 / -2.0 ±0.3	
Zero Balance - % RO- MAX	±2.0	±2.0
Input Resistance-Ohms	350±3.5	700±7
Output Resistance-Ohms	350±3.5	700±7
Excitation Voltage-VDC MAX	20	20
MECHANICAL		
Calibration	T&C	CW & CCW
Safe Overload - % CAP - MAX	±200	±200
Ultimate Overload - % CAP- MAX	±400	±400



2816
071014