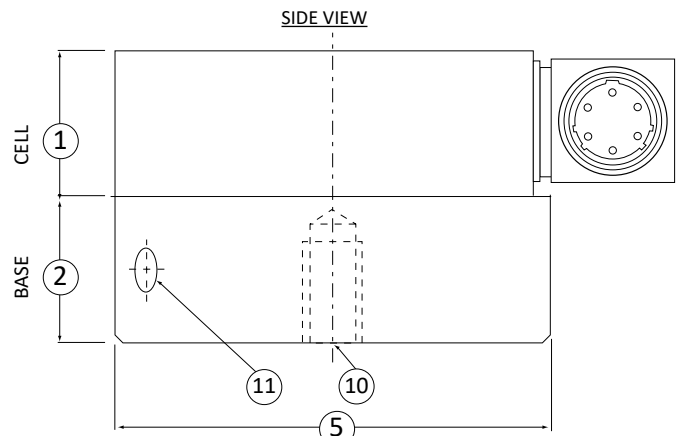
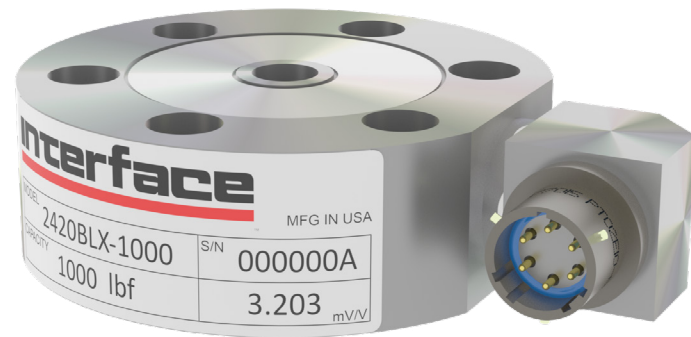
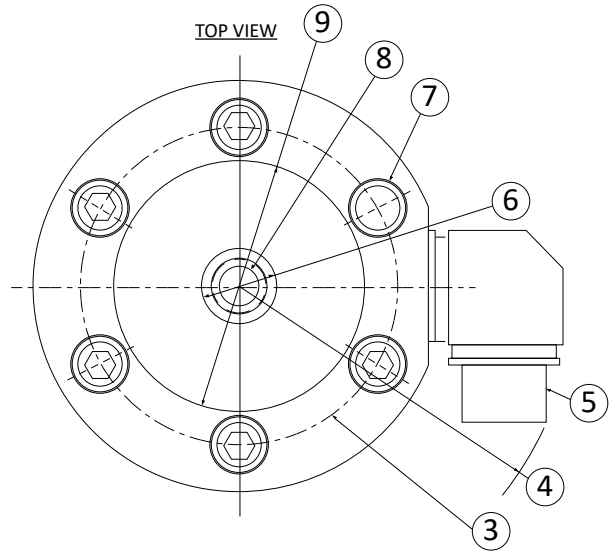


## 2400 STANDARD STAINLESS STEEL LOAD CELL (US & METRIC)

### FEATURES & BENEFITS

- Capacities from 100 to 5K lbf (0.44 to 22.2 kN)
- Proprietary Interface temperature compensated strain gages
- Stainless steel construction
- Hermetically sealed
- Tension and compression
- Compact size
- Counterbored mounting holes

### STANDARD CONFIGURATION



Model 2420BLX-1000 (shown)

(Shown with optional tension base)

### DIMENSIONS

See Drawing	MODEL			
	2420		2430	
	CAPACITY			
	US (lbf)	Metric (kN)	US (lbf)	Metric (kN)
	100, 250, 500, 1K	0.44, 1.11, 2.22, 4.45	2K, 5K	8.9, 22.2
	in	mm	in	mm
(1)	1.00	25.4	1.00	25.4
(2)	1.00	25.4	1.00	25.4
(3)	2.25	57.2	2.63	66.7
(4)	2.43	61.7	2.68	68.1
(5)	3.00	76.2	3.50	88.9
(6)	0.55	14.0	0.81	20.5
(7)	Counterbored for ¼-28 SHCS 6 Places		Counterbored for ¼-28 SHCS 6 Places	
(8)	¾-24 UNF-3B thru		½-20 UNF-3B thru	
(9)	1.81	46.0	2.07	52.5
(10)	¾-24 UNF ↓ 0.70	½-20 UNF ↓ 17.8	½-20 UNF ↓ 0.70	½-20 UNF ↓ 17.8
(11)	Spanner holes 2 SPACED @ 180°			

2400SS v2.0 01-30-2018

## 2400 STANDARD STAINLESS STEEL LOAD CELL (US & METRIC)

### SPECIFICATIONS

PARAMETERS		MODEL	
		2420	2430
		<b>CAPACITY</b>	
Measuring Range	US (lbf)	100, 250, 500, 1K	2K, 5K
	Metric (kN)	0.44, 1.11, 2.22, 4.45,	89, 22.2
<b>ACCURACY – (MAX ERROR)</b>			
Static Error Band – % FS		±0.10	±0.10
Nonlinearity – %FS		±0.10	±0.10
Hysteresis – %FS		±0.08	±0.08
Nonrepeatability – %RO		±0.02	±0.02
Creep, in 20 min – %		±0.05	±0.05
<b>TEMPERATURE</b>			
Compensated Range	°F	+15 to +115	+15 to +115
	°C	-9.4 to +46.1	-9.4 to +46.1
Operating Range	°F	-65 to +200	-65 to +200
	°C	-53.9 to +93.3	-53.9 to +93.3
Effect on Zero – %RO / °F MAX		±0.002	±0.002
Effect on Output – %RO / °F MAX		±0.002	±0.002
<b>ELECTRICAL</b>			
Rated Output – mV/V (Nominal)		3.0	3.0
Excitation Voltage – VDC MAX		15	15
Bridge Resistance – Ohm (Nominal)		350	350
Zero Balance – %RO		±2.0	±2.0
Insulation Resistance – Megohm		5000	5000
<b>MECHANICAL</b>			
Safe Overload – %CAP		±150	±150
Deflection @ RO	in	0.003, 0.002, 0.002, 0.002	0.002
	mm	0.076, 0.051, 0.051, 0.051	0.051
Optional Base – P/N		B318-2	B319-2
Natural Frequency – kHz		2.2, 4.4, 6.0, 8.3	9.1, 11.7
Weight	lb	1.5	2.0
	kg	0.68	0.91
Seal		Glass-metal hermetic	
Material		Stainless steel	

### OPTIONS

- Submersible with Integral Cable
- Base (Recommended)
- Transducer Electronic Data Sheet (TEDS)
- Custom Calibration
- Special Threads
- Special Temperature Range

### CONNECTOR OPTIONS

- PTWIH-10-6P

### ACCESSORIES

- Mating Connector
- Instrumentation
- Loading Hardware
- Mating Cable

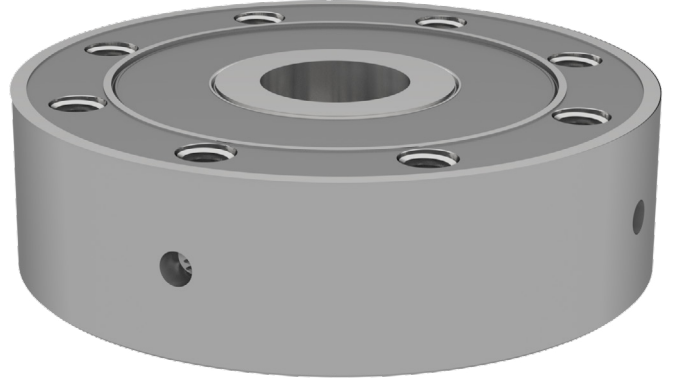
## 2400 STANDARD STAINLESS STEEL LOAD CELL (US & METRIC)

### BAYONET CONNECTOR

### BASE



Model 2420BLX-1000



Model B3XXX

