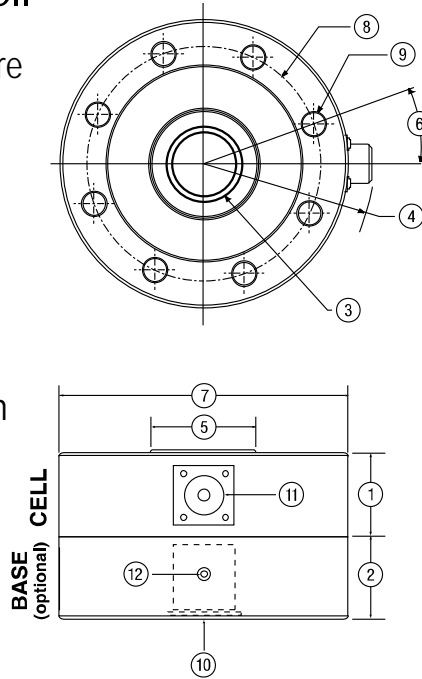


Model 2400 Standard Stainless Steel Load Cell

- Proprietary Interface temperature compensated strain gages
- Stainless steel construction
- Welded diaphragm
- Tension & compression
- Compact size
- 7.5K lbf to 300K lbf capacity
- Counterbored mounting holes in 10K lbf model



DIMENSIONS

See Drawing	MODEL							
	2440		2450		2470		2480	
	CAPACITY (lbf)							
U.S. Models (lbf)	7.5K, 10K, 15K		20K, 50K		150K, 200K		300K	
Metric Models (kN)	33.4, 50, 75		100, 250		750, 1000		1350	
	inch	mm	inch	mm	inch	mm	inch	mm
(1)	1.80	45.7	1.80	45.7	2.50	63.5	4.25	108.0
(2)	1.75	44.5	1.75	44.5	2.50	63.5	4.25	108.0
(3)	1-14 UNS-3B		1 1/2-12 UNF-3B		2.50-12 UN		3.50-8 UN	
(4)	3.56	85.2	3.81	96.8	6.31	160.3	8.07	205.0
(5)	1.71	43.5	2.23	56.6	4.66	118.3	7.36	186.9
(6)	22.5°		20.0°		11.25°		15°	
(7)	5.50	139.7	6.00	152.4	11.00	279.4	14.00	355.6
(8)	4.50	114.3	4.88	123.8	9.50	241.3	11.75	298.5
(9)	0.41	10.4	0.53	13.5	0.78	19.9	1.03	26.2
	8 places		8 places		12 places		12 places	
(10)	1-14 UNS-3B		1 1/2-12 UNF-3B		2.50-12 UN		3.50-8 UN	
(11)	MS3102E-14S-6P							
(12)	Spanner holes 4 SPACED @ 90°							

2400 HC
10/14/14

SPECIFICATIONS

PARAMETERS	MODEL			
	2440	2450	2470	2480
	CAPACITY			
U.S. Models (lbf)	7.5K, 10K, 15K	20K, 50K	150K, 200K	300K
Metric Models (kN)	37.5, 50, 75	100, 250	750, 1000	1350
ACCURACY – (MAX ERROR)				
Static Error Band-% FS	±0.10	±0.10	±0.10	±0.10
Nonlinearity-% FS	±0.10	±0.10	±0.10	±0.10
Hysteresis-% FS	±0.08	±0.08	±0.08	±0.08
Nonrepeatability-% RO	±0.03	±0.03	±0.03	±0.03
Creep, in 20 min-%	±0.03	±0.05	±0.03	±0.03
TEMPERATURE				
Compensated Range-°F	15 to 115	15 to 115	15 to 115	15 to 115
Compensated Range-°C	-10 to 45	-10 to 45	-10 to 45	-10 to 45
Operating Range-°F	-65 to 200	-65 to 200	-65 to 200	-65 to 200
Operating Range-°C	-55 to 90	-55 to 90	-55 to 90	-55 to 90
Effect on Zero-%RO/°F – MAX	±0.0015	±0.0015	±0.0015	±0.0015
Effect on Output-%RO/°F – MAX	±0.0008	±0.0008	±0.0008	±0.0008
ELECTRICAL				
Rated Output-mV/V (Nominal)	3.0	3.0	3.0	3.0
Excitation Voltage-VDC MAX	20	20	20	20
Bridge Resistance-Ohm (Nominal)	350	350	350	350
Zero Balance-% RO	±2.0	±2.0	±2.0	±2.0
Insulation Resistance-Megohm	5000	5000	5000	5000
MECHANICAL				
Safe Overload-% CAP	±150	±150	±150	±150
Deflection @ RO-inch	0.003	0.004	0.010	0.010
Optional Base-P/N	B323-2	B320-1		
Natural Frequency-kHz	9.4	8.0	4.5	4.1
Weight-lb	6	9	46	130
Connector	MS3102E-14S-6P			
Seal	Environmental			
Flexure Material	Stainless Steel			Carbon Steel

OPTIONS

Tension Base
 Submersible Cable
 Standardized Output
 Special Connectors
 Load Button
 Overload Protection
 Connector Protection
 Transducer Electronic Data Sheets (TEDS)

STANDARD CONFIGURATIONS

MS3102E-14S-6P Connector (24xxBXM-nn)
 Installed Base (-B suffix)

ACCESSORIES

Mating Connector
 Instrumentation
 Loading Hardware