

PC1

Stainless Steel, NTEP Certified 1:4500 Class III Single Cell, IP67



Dimensions

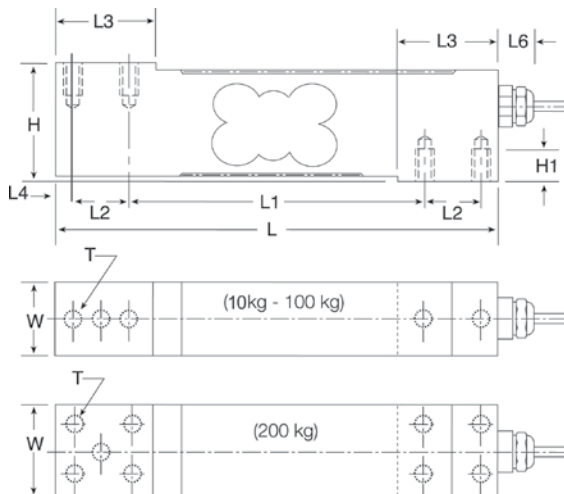
Picture is a representation of actual product

Rated Capacity	H	H1	L	L1	L2	L3	L4	L6	W	T
kg/mm										
10-100	40.00	10.00	150.00	100.00	19.00	32.00	6.00	20.00	25.4	1/4-20 x 19.1DP
200	40.00	10.00	150.00	100.00	19.00	32.00	6.00	20.00	38.1	1/4-20 x 19.1DP
lb/in										
22.0-220.5	1.57	0.40	5.90	3.93	0.75	1.26	0.24	0.79	1.00	1/4-20 x 0.75DP
441.0	1.57	0.40	5.90	3.93	0.75	1.26	0.24	0.79	1.50	1/4-20 x 0.75DP

Order Information

Load Rating	Part #	Est. Weight	Price
10 kg (22.0 lb)	41821	3 lb	Consult
15 kg (33.1 lb)	36219	3 lb	Consult
30 kg (66.1 lb)	36220	3 lb	Consult
50 kg (110.2 lb)	36221	3 lb	Consult
75 kg (165.4 lb)	36222	3 lb	Consult
100 kg* (220.5 lb)	36223	3 lb	Consult
200 kg* (441.0 lb)	36224	4 lb	Consult

*Non-NTEP



Interchangeable Products

RICE LAKE WEIGHING SYSTEMS

RL1385 page 177

Specifications

Full Scale Output:
2.0 mV/V

Output Resistance:
330 (± 25) ohms

Input Resistance:
390 (± 20) ohms

Material/Finish:
Stainless steel

Temperature:
Compensated range
14°F to 104°F (-10°C to 40°C)
Operating range
-40°F to 150°F (-40°C to 65°C)

Safe Overload:
200% full scale

Safe Sideload:
100% full scale

Rated Excitation:
5-10VDC (15V maximum)

Combined Error:
0.02% full scale

Insulation Resistance:
5,000 megohms

Seal Type:
Environmentally sealed, IP67

Cable Length:
10 ft (3.1 m)

Cable Diameter:
0.196 polyurethane jacket

Cable Color Code:
Green + Excitation
Black - Excitation
White + Signal
Red - Signal
Yellow Shield

Max Platform Size:
18 x 18 in

Warranty:
One-year limited warranty

Approvals:



Available upon request

