

1142

Stainless Steel, NTEP Certified 1:5000 Class III Single Cell, IP66



Dimensions

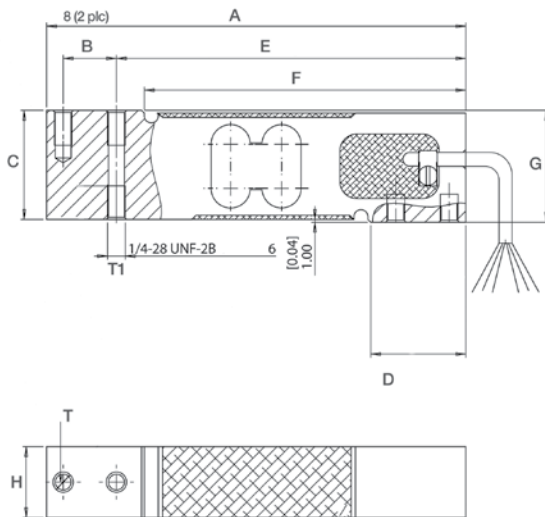
Picture is a representation of actual product

Rated Capacity	A	B	C	D	E	F	G	H	T	T1
kg/mm										
10-100 kg	150.00	19.05	39.00	34.00	125.0	115.0	40.00	25.4	1/4-20 UNC	1/4-28 UNF
lb/in										
22.0-220 lb	5.91	0.75	1.54	1.34	4.92	4.53	1.57	1.00	1/4-20 UNC	1/4-28 UNF

Order Information

Load Rating		Part#	Est. Weight	Price
10 kg	22 lb	156361	3 lb	Consult
15 kg	33 lb	156362	3 lb	Consult
20 kg	44 lb	156363	3 lb	Consult
30 kg	66 lb	156364	3 lb	Consult
50 kg	110 lb	156365	3 lb	Consult
75 kg	165 lb	156366	3 lb	Consult
100 kg	220 lb	156367	3 lb	Consult

Metric threads available as an option



Interchangeable Products

RICE LAKE WEIGHING SYSTEMS

RLPWM15 page 166

HBM*

PW15 page 257

*Color code is different

Specifications

Full Scale Output:

2.0 mV/V

Output Resistance:

351 (± 5.0) ohms

Input Resistance:

385 (± 10) ohms

Material/Finish:

Stainless steel

Temperature:

Compensated range
14°F to 104°F (-10°C to 40°C)
Operating range
-40°F to 150°F (-40°C to 65°C)

Safe Overload:

150% full scale

Rated Excitation:

5-10 VDC nominal (15 V maximum)

Total Error:

0.02% full scale

Deflection at Capacity:

≤ 0.015 in (0.9 mm)

Insulation Resistance:

2,000 megohms

Seal Type:

Environmentally sealed, IP66

Cable Length:

10 ft (3.1 m)

Cable Diameter:

0.200 PVC Jacket

Platform Size:

16 in x 16 in

Cable Color Code:

Green + Excitation
Black - Excitation
Blue + Sense
Brown - Sense
Red + Signal
White - Signal

Warranty:

One-year limited warranty

Approvals:



Available upon request