



Pressure, Level & Temperature Transmitters & Transducers

2770 Long Road, Grand Island, NY 14072 USA

Tel. (716) 773-9300 • Fax (716) 773-5019

sales@gp50.com • www.gp50.com

WECO® “HAMMER” UNION PRESSURE TRANSMITTER

Models 170, 270, 370

Designed specifically for use with either WECO® 2” 1502 or 2” 2002 Wing Union Fittings for the high pressure /vibration applications such as Cementing, Fracturing, Mud Pressure Measurement & Acidizing.



FEATURES:

- Designed to reduce “clamping effects” of Wing Union
- 0-5000 thru 0-20,000 psi
- Corrosion resistant materials
- High Accuracy
- 0-5 VDC, 4-20 mA, CANbus outputs
- Hazardous Locations Approvals
- 350°F version available
- 100% Shunt Cal

Approvals



WIRING:	170/270	370
A/1	+EXC.	+EXC./SIGNAL
B/2	-EXC.	-EXC./SIGNAL
C/3	+SIGNAL	NC
D/4	-SIGNAL	CASE GROUND
E/5	+SHUNT/CAL	+SHUNT/CAL
F/6	-SHUNT/CAL	-SHUNT/CAL

Accuracy:

Static Error (Includes Hysteresis, Non-linearity, Non-Repeatability)

- ≤0.25% FSO (RSS)
- ≤0.10% FSO (Optionally available)

Zero Balance & FSO:

- (Model 170) - 0.0 mV/V ±1% FSO at 10 VDC
- (Model 270) - 0.0 V ±1% FSO at 24 VDC
- (Model 370) - 4.0 mA ±1% FSO at 24 VDC

Full Scale Output:

- (Model 170) - 3 mV/V
- (Model 270) - 5 VDC
- (Model 370) - 16mA

Temperature Limits:

- Compensated: -40°F to 180°F (-40° C to 80° C)
- Operating: -50 F to 185 deg F (-45° C to 85° C)

Temperature Compensation:

- Zero: <±1.0% FSO/100°F
- Span: <±1.0% FSO/100°F

Electricals:

Excitation Voltage:

- (Model 170) - 16 VDC max
- (Model 270) - 9-36 VDC
- (Model 370) - 9-36 VDC (10-28 VDC for GI/A/I approvals)

Input Current:

- (Model 170) - 45 mA
- (Model 270) - 8 mA
- (Model 370) - 23 mA max.

Load Impedance:

- (Model 170) - >10K ohms
- (Model 270) - >5K ohms

Shunt Calibration:

- (Model 170) - 100% FSO ±0.2% shorting E + F
- (Model 270) - 100% FSO ±0.2% shorting E + F
- (Model 370) - 100% FSO ±0.2% by exciting E + F
- Zero Balance / Span: Less than ±1.0% FSO/100°F

Mechanicals:

- Proof Pressure: 1.5X Pressure range or 22,5000 PSI which ever is less
- Burst Pressure: 3X Pressure Range or 22,5000 PSI which ever is less
- Weco Fitting limited to 22.5K PSI max working pressure

• IP68 Rated with proper mate

Materials of Construction:

- Sensor: See options below
- Housing: 300 Series SS T

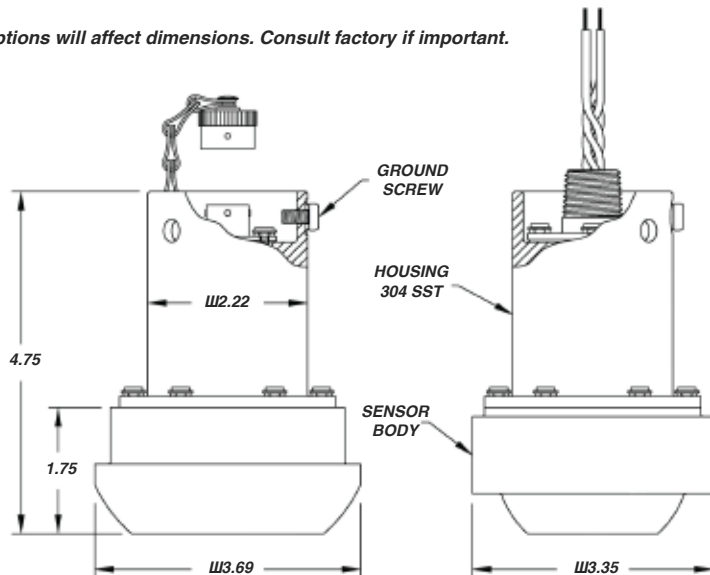
Connections:

- Pressure: WECO® 2” 1502 or WECO® 2” 2002/2202
- Electrical: Bendix PTO2E-10-6P

Identification: Etched Housing

Weight: Approx. 6lbs, options may affect weight

Some options will affect dimensions. Consult factory if important.



2" #1502 CONFIGURATION (SHOWN WITH "CA" CONNECTOR)

2" #2002/2202 CONFIGURATION (SHOWN WITH "CF" CONNECTOR)

A5SL-70

GP:50 reserves the right to make product improvements and amendments to the product specifications stated throughout this brochure without prior notification. Please contact the factory on all critical dimensions and specifications for verification.



Pressure, Level & Temperature Transmitters & Transducers

2770 Long Road, Grand Island, NY 14072 USA

Tel. (716) 773-9300 • Fax (716) 773-5019

sales@gp50.com • www.gp50.com

WECO® “HAMMER” UNION PRESSURE TRANSMITTER

Models 170, 270, 370

Typical configurations (consult factory for more options)

MODELS

170	3 mV/V
270	0 - 5 Vdc
370	4 - 20 mA

APPROVALS - 370 Series Only

AI	ATEX/IEC Intrinsic Safety
AN	ATEX/IEC Zone 2
EC	CE Marking
GI	ATEX/IEC/FM/CSA Intrinsic Safety
GN	ATEX/IEC/FM/CSA Div/Zone 2
I	FM/CSA Intrinsic Safety
N	FM/CSA Div/Zone 2

PROCESS CONNECTION

A	WECO® 2" 1502 Inconel X750
B	WECO® 2" 2002 Inconel X750 **
C	* WECO® 2" 2202, Inconel 718 **
D	* 2" 1502, Inconel 718
G	* 2" 1502 SST
H	* WECO® 2" 2202/2002 SST **

* Material meets NACE MR0175 Guidelines

** Non-Detachable Design

PRESSURE RANGE

SZ	Non-standard range, if applicable
RV	5,000 psi
RW	6,000 psi
RX	7,500 psi
RZ	10,000 psi
SB	15,000 psi
SD	20,000 psi

ELECTRICAL CONNECTIONS

CA	Bendix 6-pin PTW2E-10-6P (SST) (Standard on all models)
CF	1/2" NPT(M) with 18" 18 AWG MTW cable
DK	Glenair 4-pin GC379-2-14S-2P
DO	Jupiter RECM 10TPN04-16
DM	MS3102E 14S-2P
DP	4-Pin Brad Harrison style
DT4	4-Pin mini fast, 7/8-16 THD, Nickel Pltd. (Div 2 / Zone 2 only) (No Barrier required when used w/ approved mating cable) (Consult Factory for other electrical conn. for Zone 2/Div 2 units)

OPTIONS

GG	Alternate shunt calibration signal
ME	80% Shunt Calibration
MR	Alternate wiring
NB	100% Powered Shunt (std on 370)
NG	Removable carrying handle
NH	Dual welded handle
NC	100% Unpowered Shunt Calibration (std on 170/270)
QX	Extended operation- 350° F process temperature

Consult factory for other options, such as carrying handle, optional materials, electrical connectors and replacement fasteners.

Consult WECO® manufacturer for published pressure maximums.
WECO® is a Federally Registered Trademark with FMC Technologies.

NOTE:

Specifications reflect standard product, improved performance / mechanical options available.

Modifications may alter specs, consult factory for more information.