

Model 1600 Gold Standard™ Calibration Compression-Only Load Cell

- .005% nonrepeatability
- .01% creep
- High output - to 4mV/V
- High precision base installed
- 3 run NIST traceable ASTM E74 calibration
- Eccentric load compensated
- .0008%/°F temp. effect on output
- 4% lower load limit

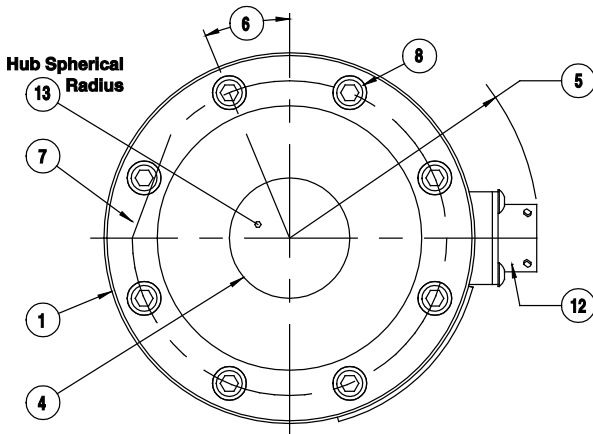
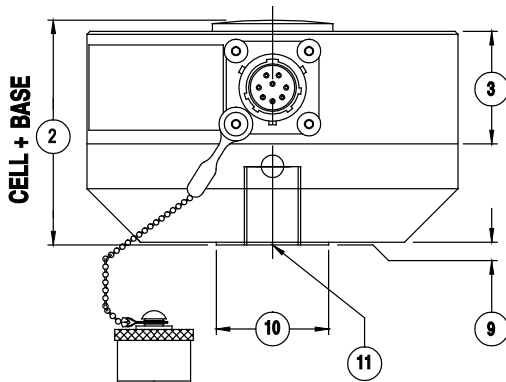


SPECIFICATIONS

PARAMETERS	MODEL				
	1611	1611	1611	1621	1633
	CAPACITY				
U.S. Models (lbf)	1K	2K	5K, 10K	25K, 50K	100K
Metric Models (kN)	4.5	9	22, 45	110, 225	450
ACCURACY - (MAX ERROR)					
Static Error Band-% FS	±0.02	±0.02	±0.025	±0.03	±0.04
Nonlinearity-% FS	±0.03	±0.03	±0.04	±0.04	±0.04
Hysteresis-% FS	±0.02	±0.02	±0.04	±0.04	±0.05
Nonrepeatability-% RO	±0.005	±0.005	±0.005	±0.005	±0.005
Creep, in 20 min-%	±0.01	±0.01	±0.01	±0.01	±0.01
Side Load Sensitivity-%	±0.1	±0.1	±0.1	±0.1	±0.1
Eccentric Load Sensitivity-%/in	±0.1	±0.1	±0.1	±0.1	±0.1
Lower Load Limit - % Cap. (ASTM E74 Class A)	4.0	4.0	4.0	4.0	4.0
TEMPERATURE					
Compensated Range-°F	15 to 115	15 to 115	15 to 115	15 to 115	15 to 115
Compensated Range-°C	-10 to 45	-10 to 45	-10 to 45	-10 to 45	-10 to 45
Operating Range-°F	-65 to 200	-65 to 200	-65 to 200	-65 to 200	-65 to 200
Operating Range-°C	-55 to 90	-55 to 90	-55 to 90	-55 to 90	-55 to 90
Effect on Zero-%RO/°F - MAX	±0.0004	±0.0004	±0.0004	±0.0004	±0.0004
Effect on Output-%/°F - MAX	±0.0008	±0.0008	±0.0008	±0.0008	±0.0008
ELECTRICAL					
Rated Output-mV/V (Nominal)	2.0	2.0	4.0	4.0	4.0
Excitation Voltage-VDC MAX	20	20	20	20	20
Bridge Resistance-Ohm (Nominal)	350	350	350	350	350
Zero Balance-% RO	±1.0	±1.0	±1.0	±1.0	±1.0
Insulation Resistance-Megohm	5000	5000	5000	5000	5000
MECHANICAL					
Safe Overload-% CAP	±150	±150	±150	±150	±150
Deflection @ RO-inch	0.002	0.002	0.004	0.004	0.006
Weight-lb	3.3	3.3	7.5	21.5	52
Connector	PT02E-12-8P	PT02E-12-8P	PT02E-12-8P	PT02E-12-8P	PT02E-12-8P
Calibration	Compression	Compression	Compression	Compression	Compression

DIMENSIONS

See Drawing	MODEL					
	1611		1621		1633	
	CAPACITY					
	U.S. (lbf) 1K, 2K, 5K, 10K	Metric (kN) 4.5, 9 22, 45	U.S. (lbf) 25K, 50K	Metric (kN) 110, 225	U.S. (lbf) 100K	Metric (kN) 450
	inch	mm	inch	mm	inch	mm
(1)	4.13	104.8	6.06	153.9	8.00	203.2
(2)	2.50	63.5	3.50	89.0	4.50	114.3
(3)	1.25	31.7	1.63	41.4	2.25	57.2
(4)	1.34	34.0	2.41	61.2	3.76	95.5
(5)	2.78	70.0	3.50	89.0	4.47	113.0
(6)	22.5°	22.5°	15.0°	15.0°	11.25°	11.25°
(7)	3.50	88.9	5.13	130.3	6.50	165.1
(8)	8 SHCS		12 SHCS		16 SHCS	
(9)	0.03	0.80	0.03	0.80	0.03	0.80
(10)	1.25	31.8	2.25	57.2	3.00	76.2
(11)	5/8-18 UNF-3B 0.87 deep	M16x2-4H 22.1 deep	1 1/4-12 UNF-3B 1.40 deep	M33x2-4H 35.6 deep	1 3/4-12 UNF-3B 1.75 deep	M42x2-4H 44.5 deep
(12)	PT02E-12-8P		PT02E-12-8P		PT02E-12-8P	
(13)	6.00	152.0	8.00	203.0	12.0	305.0



ACCESSORIES

- Precision mV/V Transfer Standard
- Instrument Cable Assemblies
- Signal Conditioning Boards
- Calibration Software

STANDARD CONFIGURATIONS

- PT02E-12-8P Connector

OPTIONS

- Compression Overload Protection
- Multiple Bridge
- Standardized Output
- Connector Protection
- Low Profile Options