

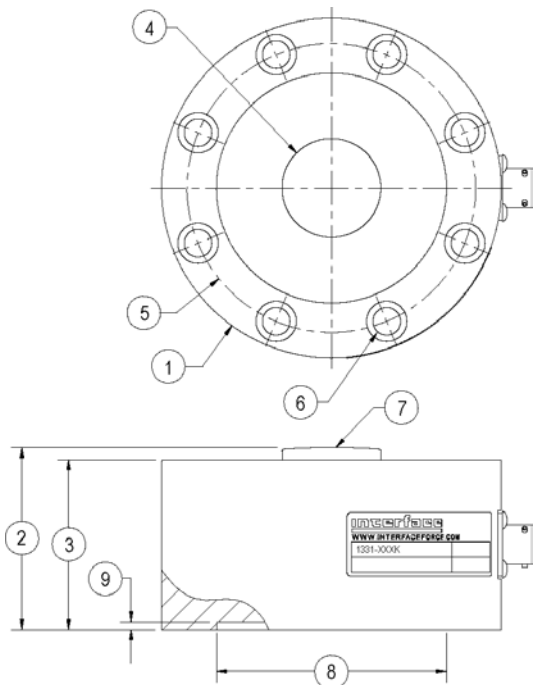
# Model 1331 Compression-Only Load Cell (US & Metric)

- High output - 4 mV/V
- Proprietary Interface temperature compensated strain gages
- Small footprint
- Integral load button
- Eccentric load compensated
- 0.0008%/°F (0.0015%/°C) temp effect on output
- Barometric compensation



## DIMENSIONS

See Drawing	CAPACITY	
	100K lbf	450 kN
(1)	inch	mm
(1)	Ø 5.00	Ø 127.0
(2)	2.68	68.1
(3)	2.50	63.5
(4)	Ø 1.45	Ø 36.8
(5)	Ø 4.250	Ø 107.95
(6)	Ø 0.41 thru, └─┬─┘ Ø 0.59 ▽ 0.40	Ø 10.3 thru, └─┬─┘ Ø 15.1 ▽ 10.2
(7)	SR 10.00	SR 254.0
(8)	Ø 3.39	Ø 86.0
(9)	0.02	0.4



## OPTIONS

- Base (Recommended)
- Compression overload protection
- Standardized output
- Special connectors
- Multiple bridge
- Connector protection
- TEDS

## STANDARD CONFIGURATIONS

- PT02E-10-6P Connector
- PC04E-10-6P Connector
- 10 ft. integral cable

## SPECIFICATIONS

ACCURACY – (MAX ERROR)	
Static Error Band – %FS	±0.07
Nonlinearity – %FS	±0.05
Hysteresis – %FS	±0.08
Non-Repeatability – %RO	±0.01
Creep, in 20 min – %	±0.025
TEMPERATURE	
Compensated Range – °F	15 to 115
Compensated Range – °C	-10 to 45
Operating Range – °F	-65 to 200
Operating Range – °C	-55 to 90
Effect on Zero – % RO/°F – MAX	±0.0008
Effect on Zero – % RO/°C – MAX	±0.0015
Effect on Output – %/°F – MAX	±0.0008
Effect on Output – %/°C – MAX	±0.0015
ELECTRICAL	
Rated Output–mV/V (Nominal)	4.0
Excitation Voltage–VDC MAX	20
Bridge Resistance–Ohm (Nominal)	350
Zero Balance – % RO	±1.0
Insulation Resistance–Megaohm	5000 @ 50 VDC
MECHANICAL	
Safe Overload – % CAP	+150
Deflection @ RO–inch	0.003
Material	Steel
Seal	Environmental

1331  
08/27/14