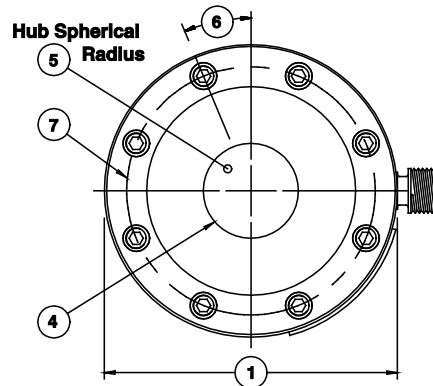
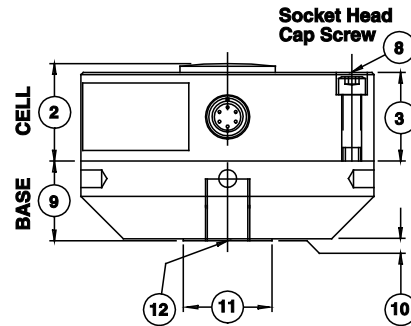


1201 Standard Load Cell Compression-Only (U.S. & Metric)

- Performance to .03%
- High output – to 4 mV/V
- Eccentric load compensated
- 0.0008%/°F (0.0015%/°C) temp. effect on output
- Low deflection
- Shunt calibration
- Barometric compensation
- Compact size
- Counterbored mounting holes



DIMENSIONS

See Drawing	MODEL									
	1211		1221		1231		1241		1243	
	CAPACITY									
	U.S. (lbf)	Metric (kN)	U.S. (lbf)	Metric (kN)	U.S. (lbf)	Metric (kN)	U.S. (lbf)	Metric (kN)	U.S. (lbf)	Metric (kN)
	1K, 2K 5K, 10K	5, 10 25, 50	25K, 50K	125, 250	100K	450	200K	900	300K 400K	1350 1800
	inch	mm	inch	mm	inch	mm	inch	mm	inch	mm
(1)	4.13	104.8	4.75	120.7	7.50	190.5	8.25	210	11.0	279.0
(2)	1.38	34.9	1.75	44.5	2.25	57.2	3.25	82.5	3.50	88.9
(3)	1.25	31.7	1.63	41.4	2.00	50.8	3.00	76.2	3.00	76.2
(4)	1.34	34.0	1.57	39.9	3.13	79.5	3.16	80.3	4.81	122.2
(5)	6.00	152.4	6.00	152.4	8.00	203.2	12.0	304.8	18.0	457
(6)	22.5°	22.5°	45.0°	45.0°	15.0°	15.0°	15.0°	15.0°	11.25°	11.25°
(7)	3.50	88.9	4.00	101.6	6.25	158.8	6.75	171.5	9.00	229
(8)	1/4-28x1 1/4 8 places		5/16-24x1 3/4 4 places		7/16-20x2 12 places		5/8-18x3 12 places		5/8-18x3.5 16 places	
(9)	1.13	28.7	1.25	31.8	2.00	50.8	2.50	63.5	3.50	88.9
(10)	0.03	0.80	0.03	0.80	0.03	0.80	0.03	0.80	0.03	0.80
(11)	1.25	31.8	2.00	50.8	3.00	76.2	3.00	76.2	4.50	114
(12)	5/8-18 UNF-3B .87 deep	M16 x 2-4H 22.1 deep	1/2-20 UNF-3B 0.88 deep	M16 x 2-6H 22.4 deep	1 3/4-12 UNF-3B 1.75 deep	M27 x 2-6H 44.5 deep	3/4-16 UNF-3B 1.50 deep	M27 x 2-6H 38.1 deep	1 1/2-12 UNF-2B 2.00 deep	M42 x 2-6H 50.8 deep

1201
10/14/14

SPECIFICATIONS

PARAMETERS	MODEL					
	1211	1211	1221	1231	1241	1243
	CAPACITY					
U.S. Models (lbf)	1K, 2K	5K, 10K	25K, 50K	100K	200K	300K, 400K
Metric Models (kN)	5, 10	25, 50	125, 250	450	900	1350, 1800
ACCURACY - (MAX ERROR)						
Static Error Band-% FS	±0.03	±0.04	±0.04	±0.04	±0.05	±0.05
Nonlinearity-% FS	±0.03	±0.04	±0.05	±0.05	±0.05	±0.05
Hysteresis-% FS	±0.03	±0.04	±0.05	±0.05	±0.05	±0.05
Nonrepeatability-% RO	±0.01	±0.01	±0.01	±0.01	±0.01	±0.01
Creep, in 20 min-%	±0.025	±0.025	±0.025	±0.025	±0.025	±0.025
Side Load Sensitivity-%	±0.25	±0.25	±0.25	±0.25	±0.25	±0.25
Eccentric Load Sensitivity-%/in	±0.25	±0.25	±0.25	±0.25	±0.25	±0.25
TEMPERATURE						
Compensated Range-°F	15 to 115	15 to 115	15 to 115	15 to 115	15 to 115	15 to 115
Compensated Range-°C	-10 to 45	-10 to 45	-10 to 45	-10 to 45	-10 to 45	-10 to 45
Operating Range-°F	-65 to 200	-65 to 200	-65 to 200	-65 to 200	-65 to 200	-65 to 200
Operating Range-°C	-55 to 90	-55 to 90	-55 to 90	-55 to 90	-55 to 90	-55 to 90
Effect on Zero-%RO/°F - MAX	±0.0008	±0.0008	±0.0008	±0.0008	±0.0008	±0.0008
Effect on Zero-%RO/°C - MAX	±0.0015	±0.0015	±0.0015	±0.0015	±0.0015	±0.0015
Effect on Output-%RO/°F - MAX	±0.0008	±0.0008	±0.0008	±0.0008	±0.0008	±0.0008
Effect on Output-%RO/°C - MAX	±0.0015	±0.0015	±0.0015	±0.0015	±0.0015	±0.0015
ELECTRICAL						
Rated Output-mV/V (Nominal)	2.0	4.0	4.0	4.0	4.0	3.0, 4.0
Excitation Voltage-VDC MAX	20	20	20	20	20	20
Bridge Resistance-Ohm (Nominal)	350	350	350	350	350	350
Zero Balance-% RO	±1.0	±1.0	±1.0	±1.0	±1.0	±1.0
Insulation Resistance-Megohm	5000	5000	5000	5000	5000	5000
MECHANICAL						
Safe Overload-% CAP	±150	±150	±150	±150	±150	±150
Deflection @ RO-inch	0.001	0.002	0.002	0.003	0.004	0.005
Deflection @ RO-mm	0.03	0.05	0.05	0.08	0.10	0.13
Optional Base-P/N (Metric)	B101	B102	B106	B104	B108	B124
Natural Frequency-kHz	6.4, 9.0	6.1, 8.6	8.2, 11.7	7.6	6.7	5.0
Weight-lb	1.5	3.3	6.8	13.5	40	74
Weight-kg	0.7	1.5	3.1	6	18	34
Connector	PC04E-10-6P	PC04E-10-6P	PC04E-10-6P	PC04E-10-6P	PC04E-10-6P	PC04E-10-6P
Calibration	Compression	Compression	Compression	Compression	Compression	Compression

OPTIONS

- Base (recommended)
- Compression Overload Protection
- Integral 10 ft Cable
- Bayonet Connector
- Multiple Bridge
- Standardized Output
- Connector Protection
- Transducer Electronic Data Sheets (TEDS)

STANDARD CONFIGURATIONS

- 10 ft Integral Cable (12xxEX-nn)
- <or> PC04E-10-6P Standard Connector (12xxHL-nn)
- <or> PC02E-10-6P Bayonet Connector (12xxBAY-nn)
- Installed Base (-B suffix)
- Counterbored Mounting Holes Except 1243

ACCESSORIES

- Mating Connector
- Instrumentation
- Loading Hardware



Shown with optional base