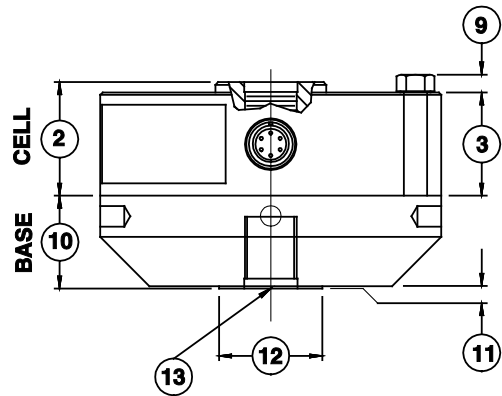
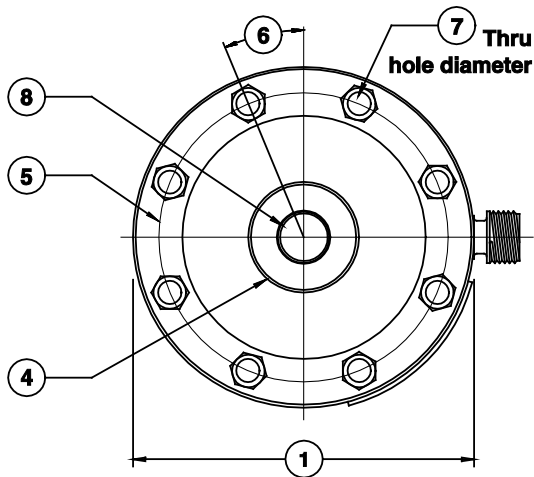


1200 Standard Load Cell (U.S. & Metric)

- Proprietary Interface temperature compensated strain gages
- Performance to .04%
- High output – to 4 mV/V
- Eccentric load compensated
- .0008%/°F (.0015%/°C) temp. effect on output
- Low deflection
- Shunt calibration
- Barometric compensation
- Tension and compression
- Compact size



DIMENSIONS

See Drawing	MODEL					
	1210		1220		1232	
	CAPACITY					
	U.S. (lbf)	Metric (kN)	U.S. (lbf)	Metric (kN)	U.S. (lbf)	Metric (kN)
	300, 500, 1K, 2K, 5K, 10K,	1.5, 2.5, 5, 10, 25, 50	25K, 50K	100, 250	100K	450
	inch	mm	inch	mm	inch	mm
(1)	4.13	104.8	6.06	153.9	8.00	203.2
(2)	1.38	34.9	1.75	44.5	2.50	63.5
(3)	1.25	31.7	1.63	41.4	2.25	57.2
(4)	1.34	34.0	2.65	67.3	3.76	95.2
(5)	3.50	88.9	5.13	130.3	6.50	165.1
(6)	22.5°	22.5°	15.0°	15.0°	11.25°	11.25°
(7)	0.28	7.10	0.41	10.4	0.53	13.5
	8 places		12 places		16 places	
(8)	5/8-18 UNF-3B 1.12 deep	M16 x 2-4H 28.4 deep	1 1/4-12 UNF-3B 1.40 deep	M33 x 2-4H 35.6 deep	1 3/4-12 UN-3B 2.15 deep	M42 x 2-4H 54.6 deep
(9)	0.20	5.10	0.30	7.60	0.40	10.2
(10)	1.13	28.6	1.75	44.5	2.00	50.8
(11)	0.03	0.80	0.03	0.80	0.03	0.80
(12)	1.25	31.8	2.25	57.2	3.00	76.2
(13)	5/8-18 UNF-3B .87 deep	M16 x 2-4H 22.1 deep	1 1/4-12 UNF-3B 1.40 deep	M33 x 2-4H 35.6 deep	1 3/4-12 UNF-3B 1.75 deep	M42 x 2-4H 44.5 deep

1200
1-27-17

SPECIFICATIONS

PARAMETERS	MODEL			
	1210	1210	1220	1232
	CAPACITY			
U.S. Models (lbf)	300, 500, 1K, 2K	5K, 10K	25K, 50K	100K
Metric Models (kN)	1.5, 2.5, 5, 10	25, 50	100, 250	450
ACCURACY – (MAX ERROR)				
Static Error Band-% FS	±0.04	±0.04	±0.04	±0.06
Nonlinearity-% FS	±0.04	±0.04	±0.04	±0.05
Hysteresis-% FS	±0.03	±0.04	±0.05	±0.06
Nonrepeatability-% RO	±0.01	±0.01	±0.01	±0.01
Creep, in 20 min-%	±0.025	±0.025	±0.025	±0.025
Side Load Sensitivity-%	±0.25	±0.25	±0.25	±0.25
Eccentric Load Sensitivity-%/in	±0.25	±0.25	±0.25	±0.25
TEMPERATURE				
Compensated Range-°F	15 to 115	15 to 115	15 to 115	15 to 115
Compensated Range-°C	-10 to 45	-10 to 45	-10 to 45	-10 to 45
Operating Range-°F	-65 to 200	-65 to 200	-65 to 200	-65 to 200
Operating Range-°C	-55 to 90	-55 to 90	-55 to 90	-55 to 90
Effect on Zero-%RO/°F – MAX	±0.0008	±0.0008	±0.0008	±0.0008
Effect on Zero-%RO/°C – MAX	±0.0015	±0.0015	±0.0015	±0.0015
Effect on Output-%RO/°F – MAX	±0.0008	±0.0008	±0.0008	±0.0008
Effect on Output-%RO/°C – MAX	±0.0015	±0.0015	±0.0015	±0.0015
ELECTRICAL				
Rated Output-mV/V (Nominal)	2.0	4.0	4.0	4.0
Excitation Voltage-VDC MAX	20	20	20	20
Bridge Resistance-Ohm (Nominal)	350	350	350	350
Zero Balance-% RO	±1.0	±1.0	±1.0	±1.0
Insulation Resistance-Megohm	5000	5000	5000	5000
MECHANICAL				
Safe Overload-% CAP	±150	±150	±150	±150
Deflection @ RO-inch	0.001	0.002	0.002	0.003
Deflection @ RO-mm	0.03	0.05	0.05	0.08
Optional Base-P/N (Metric)	B101 (M)	B102 (M)	B103 (M)	B112 (M)
Natural Frequency-kHz	3.9, 5.0, 6.9, 9.8	6.6, 9.4	6.5, 7.0	5.8
Weight-lb	1.5	3.3	9.5	26
Weight-kg	0.7	1.5	4.3	11.8
Connector	PC04E-10-6P	PC04E-10-6P	PC04E-10-6P	PC04E-10-6P
Calibration	T & C	T & C	T & C	T & C

OPTIONS

- Base (recommended)
- Compression Overload Protection
- Integral 10 ft Cable
- Bayonet Connector
- Multiple Bridge
- Standardized Output
- Connector Protection
- Transducer Electronic Data Sheets (TEDS)

STANDARD CONFIGURATIONS

- 10 ft Integral Cable (12xxAJ-nn)
- <or> PC04E-10-6P Standard Connector (12xxAF-nn)
- <or> PT02E-10-6P Bayonet Connector (12xxACK-nn)
- Installed Base (-B suffix)

ACCESSORIES

- Mating Connector
- Instrumentation
- Loading Hardware



Shown with optional base