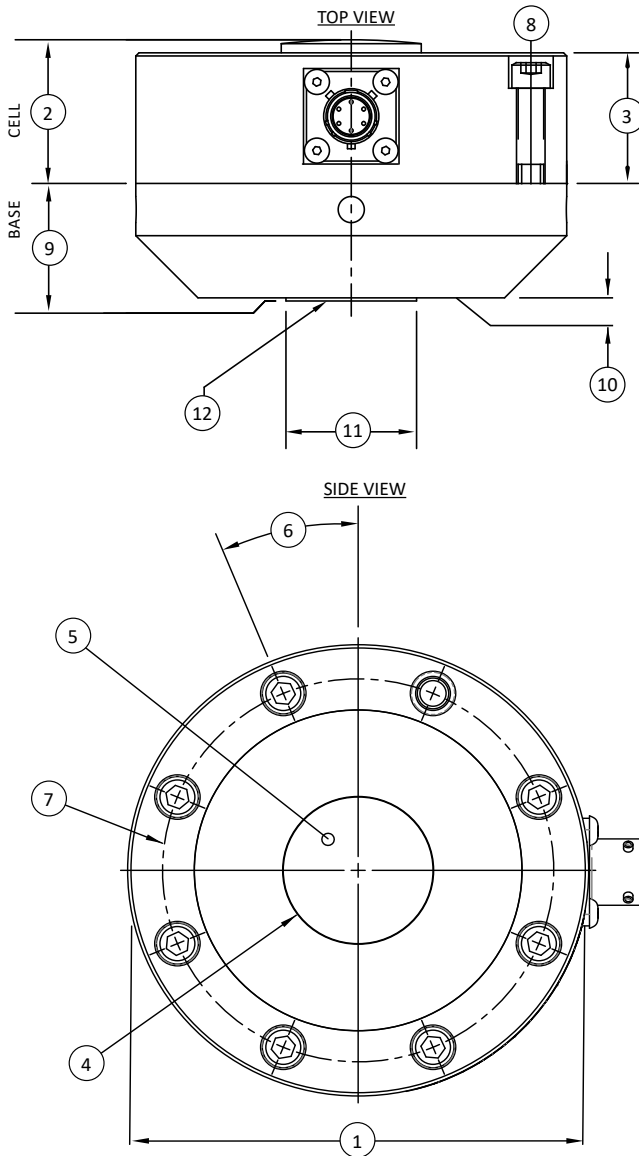


1101 ULTRA PRECISION COMPRESSION ONLY LOAD CELL (US & METRIC)

FEATURES & BENEFITS

- Capacities from 1K to 50K lbf (5 to 250 kN)
- Proprietary Interface temperature compensated strain gages
- Performance to 0.02%
- High output - to 4 mV/V
- Eccentric load compensated
- Low deflection
- 0.0008%/°F (0.0015%/°C) temp. effect on output
- Shunt calibration
- High precision base included
- Barometric compensation



STANDARD CONFIGURATION



Model 1121BAY-50K-B (shown)

DIMENSIONS

See Drawing	MODEL			
	1111		1121	
	CAPACITY			
	U.S. (lbf)	Metric (kN)	U.S. (lbf)	Metric (kN)
	1K, 2K, 5K, 10K	5, 10, 25, 50	25K, 50K	100, 250
	in	mm	in	mm
(1)	Ø4.13	Ø104.8	Ø6.06	Ø153.9
(2)	1.38	34.9	1.75	44.5
(3)	1.25	31.7	1.63	41.4
(4)	Ø1.34	Ø34.0	Ø2.65	Ø67.3
(5)	SR 6.00	SR 152.4	SR 8.00	SR 203.2
(6)	22.5°	22.5°	15.0°	15.0°
(7)	Ø3.50	Ø88.9	Ø5.13	Ø130.3
(8)	8 Places		12 Places	
(9)	1.13	28.7	1.75	44.5
(10)	0.03	0.8	0.03	0.8
(11)	Ø 1.25	Ø 31.8	Ø 2.25	Ø 57.2
(12)	¾-18 UNF-3B ↓ 0.87	M-16 X 2-4H ↓ 22.1	1 ¼-12 UNF-3B ↓ 1.40	M33 X 2-4H ↓ 35.6

1101 ULTRA PRECISION COMPRESSION ONLY LOAD CELL (US & METRIC)

SPECIFICATIONS

PARAMETERS		MODEL		
		1111	1111	1121
		CAPACITY		
Measuring Range	U.S. (lbf)	1K, 2K	5K, 10K	25K, 50K
	Metric (kN)	5, 10	25, 50	100, 250
ACCURACY – (MAX ERROR)				
Static Error Band – %FS		±0.02	±0.03	±0.03
Nonlinearity – %FS		±0.03	±0.04	±0.04
Hysteresis – %FS		±0.02	±0.04	±0.04
Non-repeatability – %RO		±0.01	±0.01	±0.01
Creep, in 20 min – %		±0.025	±0.025	±0.025
Side Load Sensitivity – %		±0.1	±0.1	±0.1
Eccentric Load Sensitivity – % / in		±0.1	±0.1	±0.1
TEMPERATURE				
Compensated Range	°F	+15 to +115	+15 to +115	+15 to +115
	°C	-10 to +45	-10 to +45	-10 to +45
Operating Range	°F	-65 to +200	-65 to +200	-65 to +200
	°C	-55 to +90	-55 to +90	-55 to +90
Effect on Zero – %RO MAX	°F	±0.0004	±0.0004	±0.0004
	°C	±0.0007	±0.0007	±0.0007
Effect on Output – %RO MAX	°F	±0.0008	±0.0008	±0.0008
	°C	±0.0015	±0.0015	±0.0015
ELECTRICAL				
Rated Output – mV/V (Nominal)		2.0	4.0	4.0
Excitation Voltage – VDC MAX		20	20	20
Bridge Resistance – Ohm (Nominal)		350	350	350
Zero Balance – % RO		±1.0	±1.0	±1.0
Insulation Resistance – Megohm		5000	5000	5000
MECHANICAL				
Safe Overload – %CAP		±150	±150	±150
Deflection @ RO	in	0.002	0.004	0.004
	mm	0.05	0.10	0.10
Base Part Number (Ref)		B101	B102	B103
Natural Frequency – kHz		4.5, 6.4	4.3, 6.1	4.1, 4.6
Weight	lbs	3.3	7.3	21.5
	kg	1.5	3.3	9.8
Calibration		Compression		
Material		Tool steel		

OPTIONS

- Connector protection
- Standardized output
- Transducer Electronic Data Sheet (TEDS)
- Custom calibration
- Multiple bridge
- Special threads
- Dual diaphragm
- Special temperature range
- Cable length
- Add connector to cable

CONNECTOR OPTIONS

- Integral cable 10 ft (3.0 m)
- PT02E-10-6P bayonet connector
- PC04E-10-6P screw-type connector

ACCESSORIES

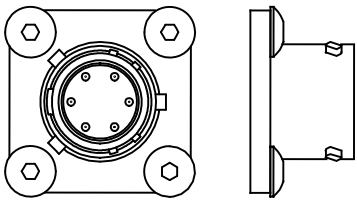
- Mating connector
- Mating cable
- Instrumentation
- Loading hardware

1101 ULTRA PRECISION COMPRESSION ONLY LOAD CELL (US & METRIC)

BAYONET CONNECTOR



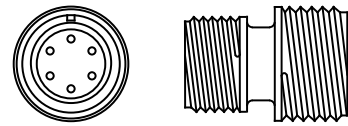
Model 1121BAY-50K-B (shown)



SCREW TYPE CONNECTOR



Model 1121HL-50K-B (shown)



INTEGRAL 10 FT. CABLE CONNECTOR



Model 1121EX-50K-B (shown)

